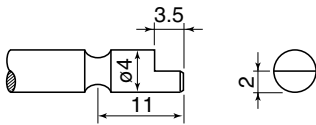


NK BIT

■ For DLV7400/7800/7300/
7000/8000/3300 series

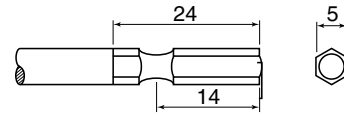


OD 4 mm Shank

Unit: mm

Model	Size			Part No.	Dimensions
	No.	d	L		
Cross Point NK4D	0	2	44	TD20009	
			64	TD20010	
		1.8	44	TD20021	
			64	TD20022	
		2.5	44	TD20029	
			64	TD20030	
	1	3	44	TD20037	
			64	TD20038	
		4	44	TD20039	
			64	TD20040	
		4	44	TD20047	
			64	TD20048	
3	6	44	TD20050		
	Model W × T × L Part No. Dimensions				
Plain Slot NK4DM	2	0.3	44	TD20051	
	2.5	0.3	44	TD20052	
	3	0.4	44	TD20053	
	4	0.5	44	TD20054	
	5	0.65	44	TD20055	
Model H × L Part No. Dimensions					
Hexagon Head NK4DX	1.5	44	TD20056		
	2	44	TD20057		
	2.5	44	TD20058		
	4	44	TD20059		
Hex Socket NK4DB	4	6	44	TD20064	
	4.5	7	44	TD20065	
	5	7	44	TD20066	
	5.5	8	44	TD20067	

■ For DLV7100/7200/8100/8200/3100 series

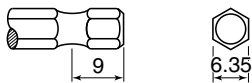


OD 5 mm Hex. Shank

Unit: mm

Model	Size			Part No.	Dimensions			
	No.	d	L					
Cross Point NK31	1	4	70	TD20193				
			100	TD20194				
		5	70	TD20196				
			100	TD20197				
		6	70	TD20200				
			100	TD20201				
	2	5	70	TD20210				
			100	TD20211				
		6	70	TD20214				
			100	TD20215				
		Model No. × L Part No. Dimensions						
		Cross Point NK16	1	70		TD20224		
100	TD20225							
2	70		TD20232					
	100		TD20233					
Hexagon Head NK31X	2	4	70	TD20254				
			H × L Part No.					
			2.5	TD20256				
	3	70	TD20258					
			4	TD20260				
			5	TD20262				
			Model H × D × d × L Part No. Dimensions					
	Hex Socket NK31B	5.5	9	4		70	TD20272	
		6	10	4.5		70	TD20274	
		7	11	5.5		70	TD20276	
						100	TD20277	
		8	13	6		70	TD20278	
						100	TD20279	
		10	16	8		70	TD20282	
						100	TD20283	

■ For DLV7200/8100/8200 series

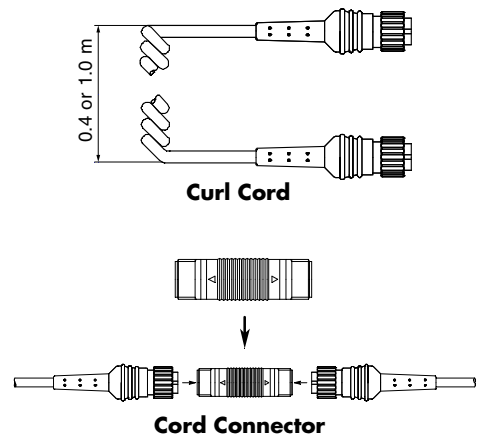


OD 6.35 mm Hex. Shank

Unit: mm

Model	Size			Part No.	Dimensions	
	No.	d	L			
Cross Point NK35	1	7	50	TD20308		
			75	TD20309		
			50	TD20319		
	2	75	50	TD20320		
			50	TD20327		
			75	TD20328		
Model No. × L Part No. Dimensions						
Cross Point NK15	2	75	75	TD20363		
			100	TD20364		
			150	TD20366		
	3	100	75	TD20371		
			150	TD20374		
Model H × L Part No. Dimensions						
Hexagon Head NK35X	5	50	TD20400			
	6	50	TD20404			
Model H × D × d × L Part No. Dimensions						
Hex Socket NK35BN	10	16	8	75	TD20442	
				100	TD20443	
	13	19	10	75	TD20457	
				100	TD20458	

Optional Cord



Please inquire of the distributor for the price and minimum quantity on each optional cord.

Part No.	Optional Cord	Applied Models	Length(m)
TD02826	5P to 6P Exchange Cord *1	DLV7300	0.1
TD02416	Extension Cord For 5P		2.0
TD02486	Extension Cord For 6P	DLV7500/8500	2.0
TD01882	Curl Cord		0.4
TD02820	Curl Cord		1.0
TD02438	Cord Connector DLW9100		

*1: "5P to 6P Exchange Cord" can connect "5-prong Screwdriver" to "6-prong Controller".