

# Multiple Controllers

■ For DLV7300 series

## ● AC Power Supply DLE3610/Controller DLC2310

Designed specifically for use with up to a maximum of 24 "delvo" 7300 Series Electric Screwdrivers connected with 15m extension cords drawn out on both sides (each side handles up to 12 screwdrivers), DLE3610 AC Power Supply and DLC2310 Controller can boost productivity and reduce costs of setting up production lines. The dedicated controller DLC2310 is employed for each screwdriver.

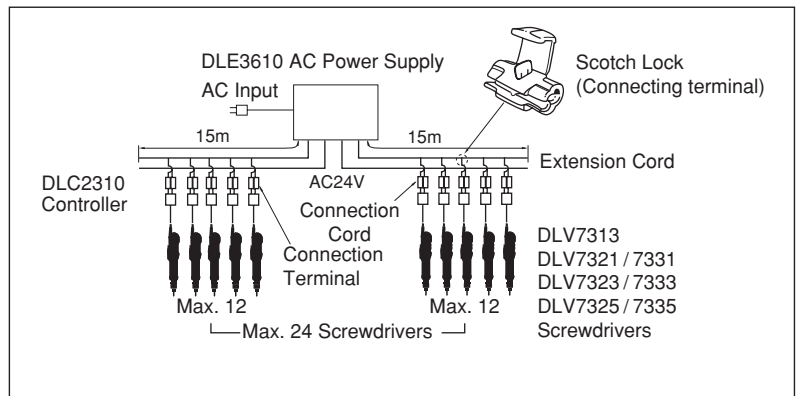


DLE3610



DLC2310

<b>Model</b>	<b>DLE3610-EN</b>	
<b>Input Voltage (Primary Side)</b>	100 VAC, 50/60Hz	
<b>Secondary Output</b>	24 VAC, 15A	
<b>Capacity</b>	360 VA	
<b>External Dimensions (mm)</b>	W190 x H134 x D188	
<b>Shape of Plug for Power Supply</b>	Asia	
<b>Mass (kg)</b>	9	
<b>Accessories</b>	Two 15m extension cords	
<b>Model</b>	<b>DLC2310-CE</b>	
<b>Input Voltage (Primary Side)</b>	24 VAC	
<b>Secondary Output</b>	24 VDC, 2A	
<b>Control Function</b>	Auto stop	
<b>External Dimensions (mm)</b>	W74 x H42 x D118	
<b>Mass (g)</b>	360	
<b>Accessories</b>	Two 0.5m connection cords and two scotch locks (Connecting terminal)	



## ● Multiple Controller DLC1215

DLC1215 can control two screwdrivers by one controller.

<b>Model</b>	<b>DLC1215-EN</b>	<b>DLC1215-GE</b>
<b>Input Voltage</b>	100 VAC	220 VAC
<b>Output Voltage</b>	24 VDC x 2	
<b>Control Function</b>	Auto stop	
<b>Shape of Plug for Power Supply</b>	Asia	
<b>External Dimensions (mm)</b>	W143 x H102 x D145	
<b>Mass (kg)</b>	2.4	



DLC1215

NOTE; Each "delvo" screwdriver should be operated independently when tightening screws even though this controller will support up to two "delvo" screwdrivers. Operating two units simultaneously may cause malfunction of the controller.

Multiple Controllers