

Multiple Controllers

■ For DLV7300 series

● AC Power Supply DLE3610A/Controller DLC2310

Designed specially for use with up to a maximum of 24 "delvo" 7300 Series Electric Screwdrivers connected with attached 15 m extension cords drawn out on both sides (each side handles up to 12 screwdrivers).

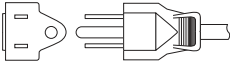
DLE3610A AC Power Supply and DLC2310 Controller can boost productivity and reduce costs of setting up production lines. The dedicated controller DLC2310 is employed for each screwdriver. If more than four units of DLV7300 series are used, installation cost of Model DLE3610A and DLC2310 will be economically beneficial.



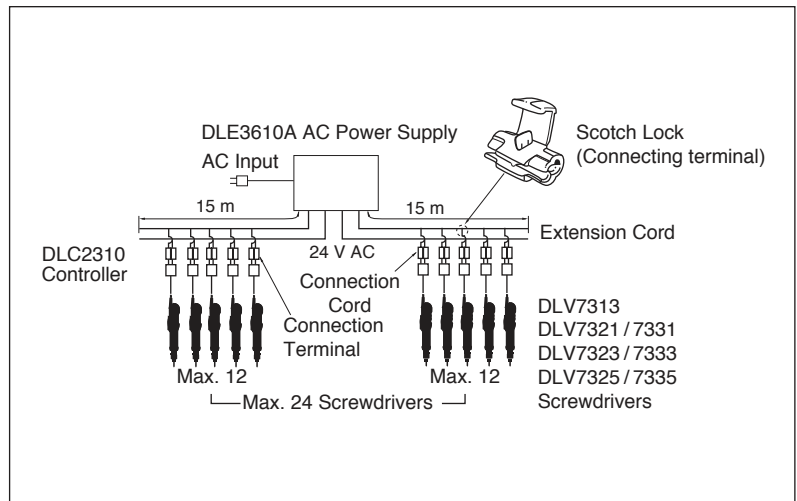
DLE3610A



DLC2310

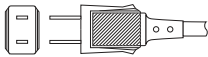
Model	DLE3610A-EN
Input Voltage (Primary Side)	100 V AC, 50/60 Hz
Secondary Output	24 V AC, 50/60 Hz, 15 A
Capacity	360 VA
External Dimensions (mm)	W190 × H134 × D188
Plug Shape	U.S.A. 
Mass (kg)	9
Accessories	Two 15 m extension cords

Model	DLC2310-CE / DLC2310-CN
Input Voltage (Primary Side)	24 V AC, 50/60 Hz
Secondary Output	36 V DC, 2 A
External Dimensions (mm)	W74 × H42 × D118
Mass (kg)	0.36
Accessories	Two 0.5 m connection cords and two scotch locks (Connecting terminal)



● Multiple Controller DLC1215

DLC1215 can control two screwdrivers by one controller.

Model	DLC1215-EN	DLC1215-GE
Input Voltage	100 V AC, 50/60 Hz	220 V AC, 50/60 Hz
Output Voltage	36 V DC × 2	
Plug Shape	Asia 	
External Dimensions (mm)	W143 × D145 × H102	
Mass (kg)	2.4	

NOTE: Each "delvo" screwdriver should be operated independently when tightening screws even though this controller will support up to two "delvo" screwdrivers. Operating two units simultaneously may cause malfunction of the controller.



DLC1215

Multiple Controllers