

# DLV30/45/70 series

■ For Machine Screws (2.6 - 8.0 mm)

## Features

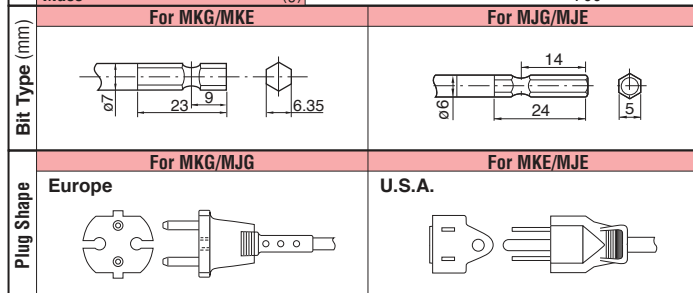
Eco-friendly electric screwdrivers with built-in brushless motors in a transformerless profile

- Torque range from 0.4 to 7.0 Nm
- Speed range from 650 to 2,000 min-1
- Both the Lever Start and Push to Start types of models are available
- Equipped with a torque adjustment ring cover
- Design conforms to the RoHS Directive and thus appeals to the environmentally conscious user
- Models with CE marking are available
- Easily detachable Pistol Grip DLW2300 (TD00335) comes with the unit as a standard accessory (DLV45/70 series)



## Specifications

Electric Screwdriver	Model	Low Speed	Standard	High Speed	Low Speed	Standard	High Speed	Low Speed	Standard	Low Speed			
		DLV30LL-MKG	DLV30SL-MKG	DLV30HL-MKG	DLV30LP-MKG	DLV30SP-MKG	DLV30HP-MKG	DLV45LL-MKG	DLV45LP-MKG	DLV45SL-MKG	DLV45SP-MKG	DLV70LL-MKG	DLV70LP-MKG
		DLV30LL-MJG	DLV30SL-MJG	DLV30HL-MJG	DLV30LP-MJG	DLV30SP-MJG	DLV30HP-MJG	DLV45LL-MKE	DLV45LP-MKE	DLV45SL-MKE	DLV45SP-MKE	DLV70LL-MKE	DLV70LP-MKE
Starting Method		Lever Start			Push to start			Lever Start	Push to start	Lever Start	Push to start	Lever Start	Push to start
Free Speed (min <sup>-1</sup> )		650	1,200	2,000	650	1,200	2,000	650	1,200	650	1,200	650	
Input Voltage		230 V AC, 50/60 Hz											
Torque (Nm)	Low Torque Spring*2 High Torque Spring*3	0.4 - 1.6 1.2 - 3.0						2.0 - 4.5			3.8 - 7.0		
Power Consumption (W)		Approx. 45											
Screw Size (mm)	Machine Screw Tapping Screw	2.6 - 5.0 2.5 - 4.0						4.5 - 6.0 4.0 - 5.0			6.0 - 8.0 4.5 - 6.0		
Mass (g)		700 870 (with Pistol Grip)											



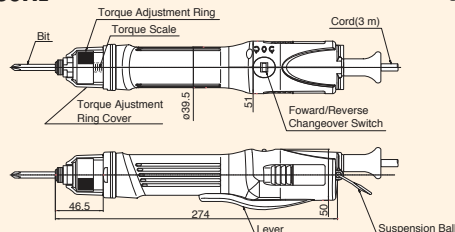
\*1 : MKG/MJG type has CE marking \*2 : Standard Accessory \*3 : Built-in.

## Standard Accessories

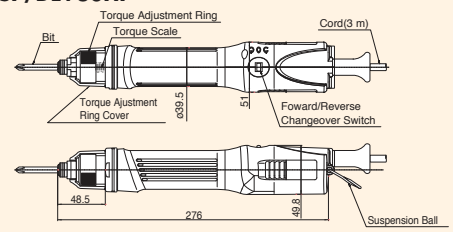
Bit	No.	DLV30 series		DLV45/70 series
		MJG/MJE	MKG/MKE	MKG/MKE
Suspension Ball	No.2 x 6 x 70	1	—	—
	No.2 x 7 x 75	—	1	1
Low Torque Spring		1	—	—

## External Dimensions

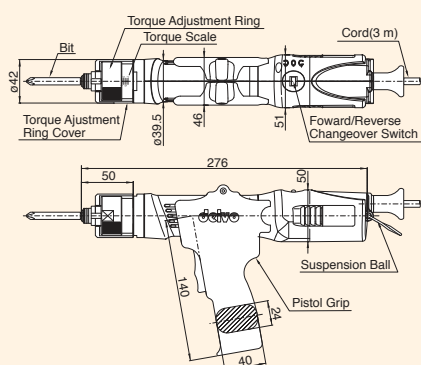
### ●DLV30LL/DLV30SL/DLV30HL



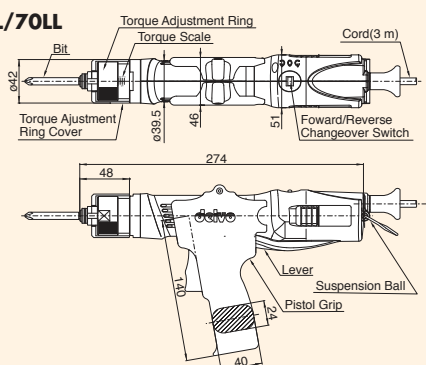
### ●DLV30LP/DLV30SP/DLV30HP



### ●DLV45SP/45LP/70LP

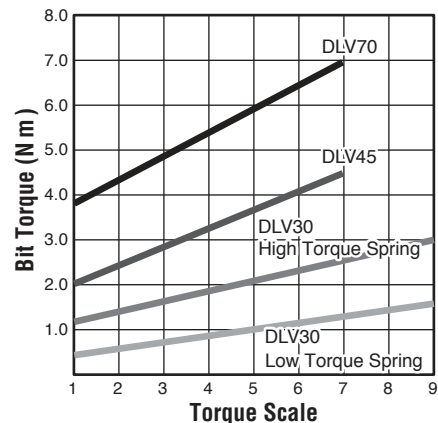


### ●DLV45SL/45LL/70LL



unit: mm

## Torque Diagram (for reference)



DLV30/45/70 series