

Optional Accessories

| Model | Part No. | Model | Shape | Torque Range | DLT1173A | DLT1673A | DLT1973A |
|-------------|----------|-----------|---------------------------------|-------------------|----------|----------|----------|
| Bit Joint | TD03305 | DLW4330 | OD 4 mm type | 0.015 to 0.25 N m | ○ | — | — |
| | TD03306 | DLW4340 | OD 4 mm type | 0.15 to 1.5 N m | ○ | ○ | — |
| | TD03307 | DLW4350 | Hex 5 and Hex 6.35 types | 0.15 to 1.5 N m | ○ | ○ | — |
| | TD03308 | DLW4360 | Hex 5 and Hex 6.35 types | 0.15 to 6.5 N m | — | ◎ | — |
| Screw Joint | TD03309 | DLW4430 | screw type(Bit size No.1) | 0.15 to 1.5 N m | ◎ | ○ | — |
| | TD03310 | DLW4530*1 | screw type(Bit size No.2) | 0.15 to 5 N m | — | ○ | — |
| Soft Joint | TD04123 | DLW4000 | Hex 13 type (Hex. head bolt) | 4.0 to 12.0 N m | — | ○ | ◎ |
| Hard Joint | TD04124 | DLW4040 | | | — | — | ○ |

◎ : Standard accessories ○ : Available as option — : Unsupported

*1 DLW4530 must be used at 5 N m or less.

Bit Joint

Screw Joint

Soft Joint

Hard Joint

Spring



Selection of Torque Checker

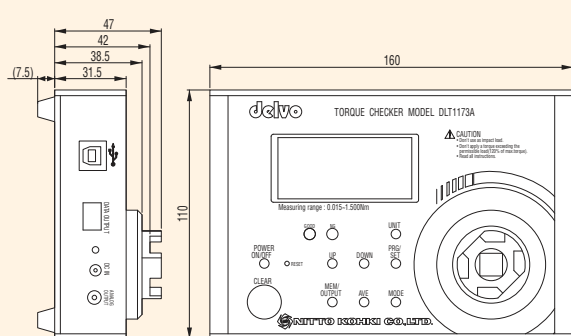
| DLT1173A (for miniature screw) | DLT1673A | DLT1973A |
|---|---|-----------------------------|
| DLV3300 series*2 / DLV5700 series / DLV5800 series / DLV7300 series / DLV7000 series / DLV8000 series / DLV7400A series | DLV7100 series / DLV8100 series / DLV7200 series / DLV8200 series / DLV7500 series / DLV8500 series / DLV3100 series*3 / DLV30, DLV45, DLV70 series | DLV45 series / DLV70 series |

*2 A reversible screwdriver is required to loosen the measuring joint.

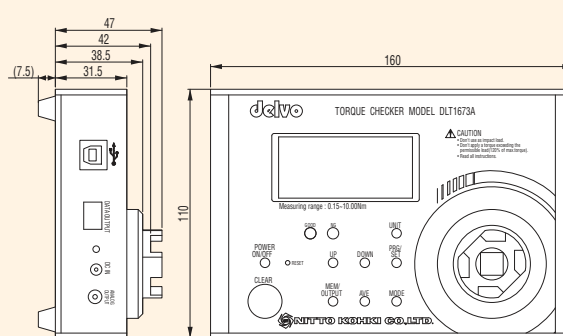
*3 A reversible screwdriver is required to loosen the measuring joint. Screw joint is required.

External Dimensions

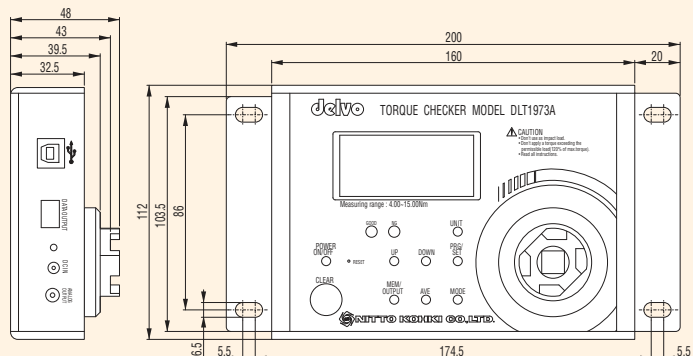
• DLT1173A



• DLT1673A



• DLT1973A



unit: mm