

HAKKO Original Nut Type Fittings / EIGHTLOCK S is designed by a hose manufacturer, which is a safe and secure pressure-proof hose fitting.

EIGHTLOCK S Fittings

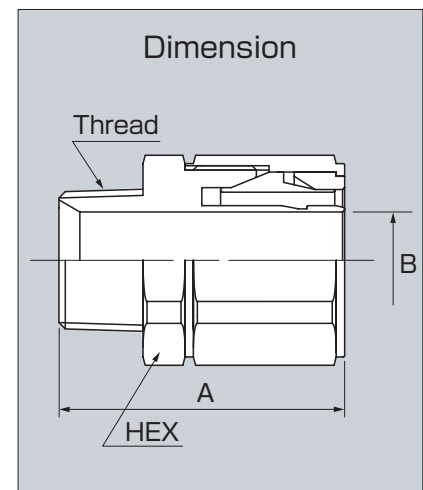
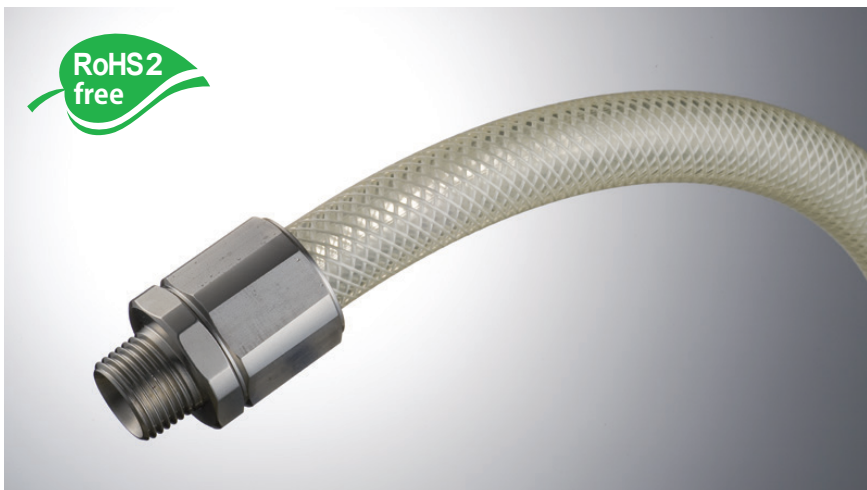
[Model Number: E-ELS-(I.D.)-(THREAD)]

Applications

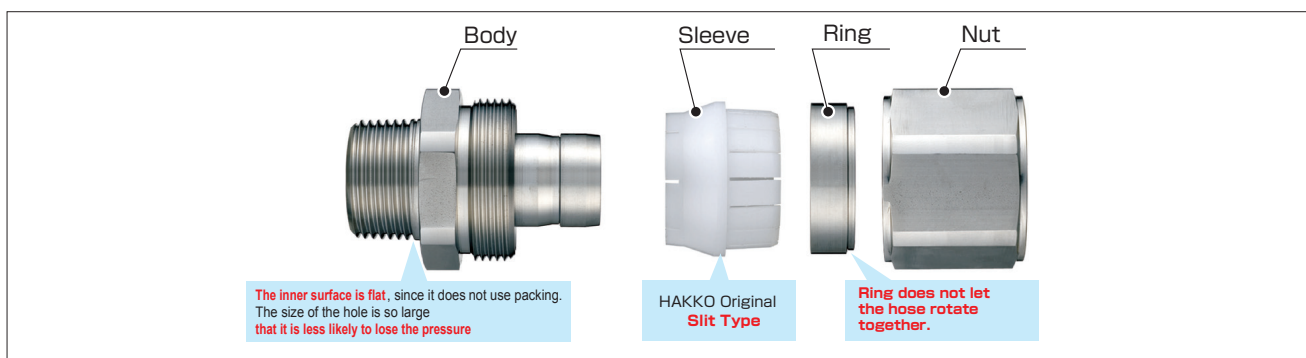
- For Pipes such as Industrial Machines and Molding Machines
- For Pipes such as Precision Machines and Semiconductor-related Equipment
- For Pipes of Beverage, Cosmetics, Pharmaceutical, and Alcohol
- Manufacturing Equipment of Chemicals, Waste Oil, Waste Fluids, and Organic Solvents

Specification

Material : SUS304 (Body, Ring, Nut)、POM (Sleeve)



Model Number	Thread	Hose Size I.D. × O.D. (mm)	Dimensions (mm)			Product Weight Gram/Piece	Sleeve Code
			A	B	HEX		
E-ELS-12-R1/2	R1/2	12×18	45.5	φ10	27	111	E-EL-12-SL
E-ELS-15-R1/2	R1/2	15×22	50	φ13	32	153	E-EL-15-SL
E-ELS-19-R3/4	R3/4	19×26	60	φ17	41	333	E-EL-19-SL
E-ELS-25-R1	R1	25×33	68	φ23	46	448	E-EL-25-SL
E-ELS-32-R1 · 1/4	R1 · 1/4	32×41	78	φ30	55	666	E-EL-32-SL



Characteristics and Functions

- **Standardization**...Unlike using the flat bands, you no longer worry about the positioning of the hose clamp, torque controlling, and retightening. Anyone can insert the fittings easily.
- **Possible to Install on site**...You can cut a hose and assemble a hose with our E-ELS on site.
- **Reusable**...EIGHTLOCK is reusable other than sleeve. If the hose gets deteriorated, you can only replace the hose and sleeve into new ones. EIGHTLOCK is still reusable.

Specification

Hose	Fitting Model Number		E-ELS-12-R1/2	E-ELS-15-R1/2	E-ELS-19-R3/4	E-ELS-25-R1	E-ELS-32-R1 · 1/4
	I.D. × O.D (mm)		12 × 18	15 × 22	19 × 26	25 × 33	32 × 41
E-SJB	Model Number		E-SJB-12	E-SJB-15	E-SJB-19	E-SJB-25	E-SJB-32
	Working Pressure (MPa)	20°C	0 ~ 1.0	0 ~ 1.0	0 ~ 1.0	0 ~ 1.0	0 ~ 0.5
		80°C	0 ~ 0.5	0 ~ 0.5	0 ~ 0.5	0 ~ 0.3	0 ~ 0.25
Temperature Range	°C	-20 ~ 80	-20 ~ 80	-20 ~ 80	-20 ~ 80	-20 ~ 80	
E-SJSP	Model Number		E-SJSP-12	E-SJSP-15	E-SJSP-19	E-SJSP-25	E-SJSP-32
	Working Pressure (MPa)	20°C	-0.1 ~ 0.5	-0.1 ~ 0.5	-0.1 ~ 0.4	-0.1 ~ 0.4	-0.1 ~ 0.3
		80°C	-0.1 ~ 0.25	-0.1 ~ 0.25	-0.1 ~ 0.2	-0.1 ~ 0.2	-0.1 ~ 0.15
Temperature Range	°C	-20 ~ 80	-20 ~ 80	-20 ~ 80	-20 ~ 80	-20 ~ 80	
E-SJSD	Model Number		E-SJSD-12	E-SJSD-15	E-SJSD-19	E-SJSD-25	—
	Working Pressure (MPa)	20°C	-0.1 ~ 0.5	-0.1 ~ 0.5	-0.1 ~ 0.4	-0.1 ~ 0.4	—
		80°C	-0.1 ~ 0.25	-0.1 ~ 0.25	-0.1 ~ 0.2	-0.1 ~ 0.2	—
Temperature Range	°C	-20 ~ 80	-20 ~ 80	-20 ~ 80	-20 ~ 80	—	
E-PDB	Model Number		E-PDB-12	E-PDB-15	E-PDB-19	E-PDB-25	E-PDB-32
	Working Pressure (MPa)	20°C	0 ~ 1.0	0 ~ 1.0	0 ~ 1.0	0 ~ 1.0	0 ~ 0.5
		80°C	0 ~ 0.5	0 ~ 0.5	0 ~ 0.5	0 ~ 0.3	0 ~ 0.25
Temperature Range	°C	-20 ~ 80	-20 ~ 80	-20 ~ 80	-20 ~ 80	-20 ~ 80	
E-TB	Model Number		E-TB-12	E-TB-15	E-TB-19	E-TB-25	E-TB-32
	Working Pressure (MPa)	20°C	0 ~ 1.0	0 ~ 1.0	0 ~ 1.0	0 ~ 1.0	0 ~ 0.5
		60°C	0 ~ 0.7	0 ~ 0.7	0 ~ 0.6	0 ~ 0.6	0 ~ 0.35
Temperature Range	°C	0 ~ 60	0 ~ 60	0 ~ 60	0 ~ 60	0 ~ 60	
E-STB	Model Number		E-STB-12	E-STB-15	E-STB-19	E-STB-25	E-STB-32
	Working Pressure (MPa)	20°C	0 ~ 1.0	0 ~ 1.0	0 ~ 1.0	0 ~ 1.0	0 ~ 0.5
		60°C	0 ~ 0.7	0 ~ 0.7	0 ~ 0.6	0 ~ 0.6	0 ~ 0.35
Temperature Range	°C	0 ~ 60	0 ~ 60	0 ~ 60	0 ~ 60	0 ~ 60	
E-SF	Model Number		E-SF-12	E-SF-15	E-SF-19	E-SF-25	E-SF-32
	Working Pressure (MPa)	20°C	0 ~ 1.0	0 ~ 1.0	0 ~ 1.0	0 ~ 1.0	0 ~ 0.5
		70°C	0 ~ 0.5	0 ~ 0.5	0 ~ 0.4	0 ~ 0.4	0 ~ 0.3
Temperature Range	°C	0 ~ 70	0 ~ 70	0 ~ 70	0 ~ 70	0 ~ 70	
E-KYS	Model Number		E-KYS-12	E-KYS-15	E-KYS-19	E-KYS-25	E-KYS-32
	Working Pressure (MPa)	20°C	0 ~ 0.4	0 ~ 0.4	0 ~ 0.4	0 ~ 0.4	0 ~ 0.4
		40°C	0 ~ 0.2	0 ~ 0.2	0 ~ 0.2	0 ~ 0.2	0 ~ 0.2
Temperature Range	°C	0 ~ 40	0 ~ 40	0 ~ 40	0 ~ 40	0 ~ 40	
E-KYC	Model Number		E-KYC-12	E-KYC-15	E-KYC-19	—	—
	Working Pressure (MPa)	20°C	-0.1 ~ 0.5	-0.1 ~ 0.5	-0.1 ~ 0.4	—	—
		70°C	-0.1 ~ 0.25	-0.1 ~ 0.25	-0.1 ~ 0.2	—	—
Temperature Range	°C	0 ~ 70	0 ~ 70	0 ~ 70	—	—	

- Be careful that working pressure and temperature range of KY SUNHOODS HOSE equipped with EIGHTLOCK S are not the same as those of KY SUNFOODS HOSE without EIGHTLOCK S.
- When you use our products, please refer to "Precautions for Use" available on our webpage and product catalog.

Contact us if you have any inquiries about HAKKO products.

HAKKO
CORPORATION

HAKKO CORPORATION

HEAD OFFICE / SALES DEPARTMENT

Unity Forum 5F, 42-18, 1-Chome Itabashi, Itabashi-Ku, Tokyo 173-0004, Japan
TEL (81) 3-3963-5381 FAX (81) 3-3961-4400

OSAKA OFFICE

Akatsuki Building 7F, 13-45, Toyotsu-cho, Suita-shi, Osaka 564-0051, Japan
TEL (81) 6-6310-6880

SAITAMA FACTORY · AKITA FACTORY

URL: <https://eightron.co.jp/English>