

HAKKO Original Barb Fittings / E-FTS is a barb fittings, made of SUS316L, which is suitable for pressure-proof hose.

EIGHTNIPPLE S Fittings

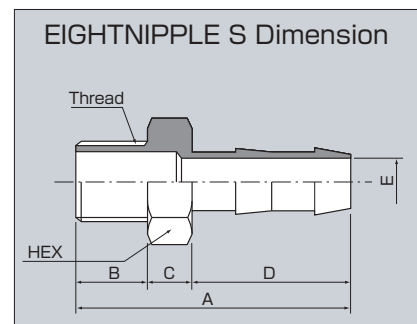
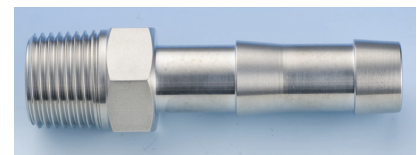
[Model Number:E-FTS-(I.D.)×(O.D.)-(THREAD)]

Applications

- For Pipes such as Industrial Machines and Molding Machines
- For Pipes such as Precision Machines and Semiconductor-related Equipment
- For Pipes of Beverage, Cosmetics, Pharmaceutical, and Alcohol
- Manufacturing Equipment of Chemicals, Waste Oil, Waste Fluids, and Organic Solvents

Specification

Material: 316L Steel Use Stainless (Excellent in Corrosion Resistance)



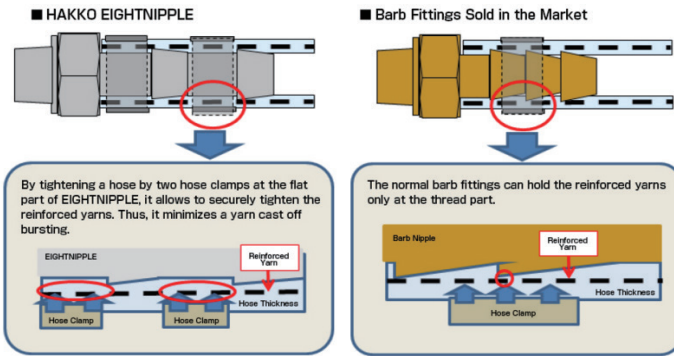
Model Number	Thread	Hose Size I.D. (mm)	Dimensions (mm)						Product Weight Gram/Piece
			A	B	C	D	E	HEX	
E-FTS-9	R 3/8	9	52	13	8	31	φ 7	17	28
E-FTS-12	R 1/2	12	69	17	10	42	φ 10	22	57
E-FTS-15	R 1/2	15	79	17	10	52	φ 12.5	22	64
E-FTS-19	R 3/4	19	89	25	12	52	φ 16	27	122
E-FTS-25	R 1	25	93	25	12	56	φ 19	36	237
E-FTS-32	R1 1/4	32	98	25	12	61	φ 27	46	318
E-FTS-38	R1 1/2	38	104	25	12	67	φ 33	50	374
E-FTS-50	R 2	50	109	30	12	67	φ 44	60	664

Characteristics and Functions

- Original Fittings for HAKKO Hose Series
- Nipple parts are longer than the conventional ones, so they can be tightened securely with two hose clamps. By tightening reinforced yarns, the lifespan of the hose becomes longer.
- Since it is excellent in corrosion resistance (made of 316L Steel Use Stainless...Passivation Treatment), you can transfer a wide variety of fluids.

Technical Data

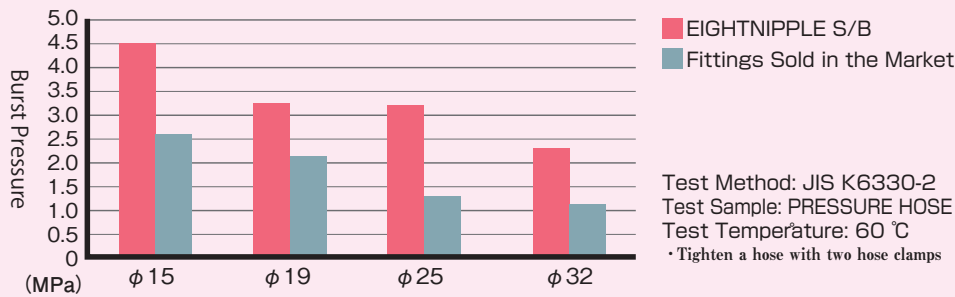
A Key to Tighten the Reinforced Yarns by EIGHTNIPPLE



- ★ What are the advantages of tightening reinforced yarns firmly?
- The lifetime of hose will be extended, since it is less likely to have a yarn cast-off bursting.
 - Under the conditions of high temperature or/and high pressure, hose is less likely to be swollen.
 - Performances of hose (such as working pressure and working temperature) are maximized.

※ A yarn cast-off bursting occurs when the pressure to tighten the reinforced yarns is lower than the pressure to swell the hose, due to the inner pressure. As a result, the reinforced yarns are slid from the end of the hose to the center of the hose, and then the end of the hose bursts due to the inner pressure.

Bursting Test Data for Each Fitting



EASY CHART for EIGHTNIPPLE S

Model Number	Hose Size I.D. (mm)	Applicable Hoses										
		PRESSURE HOSE	OIL-PROOF PRESSURE HOSE	SPRING HOSE	SUNFOODS HOSE	KY SUNFOODS HOSE	KY COIL HOSE	KY SOFT BRAID HOSE	Flexible Fluorine (PVDF) Resin Yarn Reinforced Hose	Flexible Fluorine (ETFE) Resin Yarn Reinforced Hose	Flexible Fluorine (ETFE) Resin SUS Spring Wire Hose	Flexible Fluorine (ETFE) Resin SUS Spring Wire Hose (Dissipative Type)
E-FTS-9	9	E-TB-9	E-STB-9	E-SP-9	E-SF-9	E-KYS-9			E-PDB-9	E-SJB-9		
E-FTS-12	12	E-TB-12	E-STB-12	E-SP-12	E-SF-12	E-KYS-12	E-KYC-12		E-PDB-12	E-SJB-12	E-SJSP-12	E-SJSD-12
E-FTS-15	15	E-TB-15	E-STB-15	E-SP-15	E-SF-15	E-KYS-15	E-KYC-15		E-PDB-15	E-SJB-15	E-SJSP-15	E-SJSD-15
E-FTS-19	19	E-TB-19	E-STB-19	E-SP-19	E-SF-19	E-KYS-19	E-KYC-19		E-PDB-19	E-SJB-19	E-SJSP-19	E-SJSD-19
E-FTS-25	25	E-TB-25	E-STB-25	E-SP-25	E-SF-25	E-KYS-25		E-OHB-25	E-PDB-25	E-SJB-25	E-SJSP-25	E-SJSD-25
E-FTS-32	32	E-TB-32	E-STB-32	E-SP-32	E-SF-32	E-KYS-32			E-PDB-32	E-SJB-32	E-SJSP-32	
E-FTS-38	38	E-TB-38	E-STB-38	E-SP-38	E-SF-38	E-KYS-38		E-OHB-38	E-PDB-38	E-SJB-38	E-SJSP-38	
E-FTS-50	50	E-TB-50	E-STB-50	E-SP-50	E-SF-50	E-KYS-50		E-OHB-50	E-PDB-50			

*When you use our products, please refer to "Precautions for Use" available on our webpage and product catalog.

Contact us if you have any inquiries about HAKKO products.

HAKKO
CORPORATION

HAKKO CORPORATION

HEAD OFFICE / SALES DEPARTMENT

Unity Forum 5F, 42-18, 1-Chome Itabashi, Itabashi-Ku, Tokyo 173-0004, Japan
TEL (81) 3-3963-5381 FAX (81) 3-3961-4400

OSAKA OFFICE

Akatsuki Building 7F, 13-45, Toyotsu-cho, Suita-shi, Osaka 564-0051, Japan
TEL (81) 6-6310-6880

SAITAMA FACTORY · AKITA FACTORY

URL: <https://eightron.co.jp/English>