

HAKKO Nut Type Fitting for Tubing / Fitting body is made of SUS316L, so a wide range of fluids is transferable.

Fittings for Multi-Layer Tubing

[Model Number: E-FTS-(I.D.)-(O.D.)-(THREAD)]

Applications

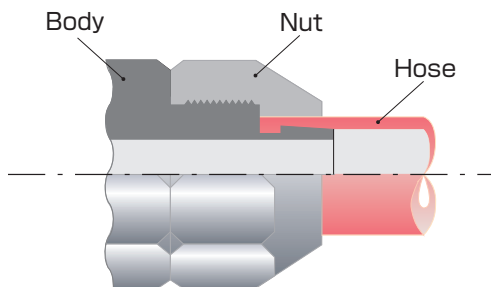
- For Pipes such as Industrial Machines and Molding Machines
- For Pipes such as Precision Machines and Semiconductor-related Equipment
- For Pipes of Beverage, Cosmetics, Pharmaceutical, and Alcohol
- Manufacturing Equipment of Chemicals, Waste Oil, Waste Fluids, and Organic Solvents

Specification

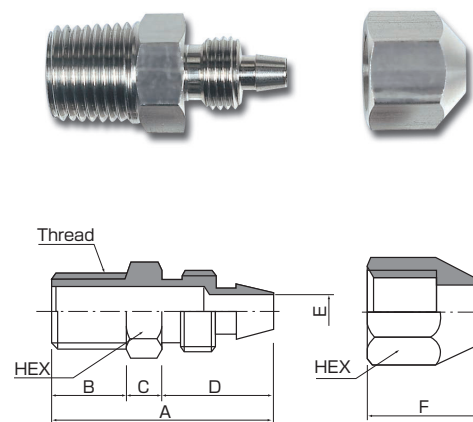
Material Body: SUS316L (Passivation Treatment)
Nut : SUS304

RoHS2
free

Seal Composition



Dimension



Model Number	Body							Nut		Product Weight g/piece
	A	B	C	D	E	THREAD	HEX	F	HEX	
E-FTS-2×4-R1/8	24.5	10	4	10.5	1.7	R1/8	10	10.5	10	13
E-FTS-3×5-R1/4	30	12	5	13	2.5	R1/4	14	13	12	26
E-FTS-4×6-R1/4	31	12	5	14	3.5	R1/4	14	14	14	29
E-FTS-5×7-R1/4	31	12	5	14	3.5	R1/4	14	14	14	29
E-FTS-6×8-R1/4	33	12	5	16	5.5	R1/4	17	16	14	32
E-FTS-6×9-R1/4	35.5	12	5	18.5	5.5	R1/4	17	18.5	17	41
E-FTS-8×12-R3/8	41	13	7	21	7	R3/8	19	21	19	61

Characteristics and Functions

- Original Fittings for HAKKO Tubing Series
- Since it is excellent in corrosion resistance (Body: made of 316L Steel Use Stainless... Passivation Treatment), you can transfer a wide variety of fluids.
- Due to the nut type fittings, standardization is possible.

EASY CHART for Fittings for Multi-Layer Tubing

Model Number	Hose Size I.D. (mm)	Flexible Fluorine (ETFE) Resin Tubing Series										Flexible Fluorine (PVDF) Resin Tubing		KY TUBE	
		E-SJD		E-SJV		E-SJ		E-SJ-CBU		E-SJ-BK		E-PD		E-KYT	
		Working Pressure (MPa)		Working Pressure (MPa)		Working Pressure (MPa)		Working Pressure (MPa)		Working Pressure (MPa)		Working Pressure (MPa)		Working Pressure (MPa)	
		at 20°C	at 80°C	at 20°C	at 70°C	at 20°C	at 80°C	at 20°C	at 80°C	at 20°C	at 80°C	at 20°C	at 80°C	at 20°C	at 70°C
E-FTS-2×4-R1/8	2 × 4									—	—	0~0.6	0~0.2		
E-FTS-3×5-R1/4	3 × 5					0~0.6	0~0.2	0~0.6	0~0.2			—	—	0~0.2	
E-FTS-4×6-R1/4	4 × 6	—	—	—	—					0~0.6		0~0.6	0~0.2		
E-FTS-5×7-R1/4	5 × 7					—	—	—	—	0~0.5	0~0.2	—	—		0~0.05
E-FTS-6×8-R1/4	6 × 8					0~0.4		0~0.4		0~0.4		0~0.4		0~0.15	
E-FTS-6×9-R1/4	6 × 9						0~0.2		0~0.2	—	—		0~0.2	0~0.2	
E-FTS-8×12-R3/8	8 × 12	0~0.6	0~0.2	0~0.3	0~0.15	0~0.6		0~0.6		0~0.6	0~0.2	0~0.6		0~0.15	

*When you use our products, please refer to "Precautions for Use" available on our webpage and product catalog.

*In terms of chemical resistance, please refer to "Chemical Resistance Data" available on our webpage and product catalog.

Contact us if you have any inquiries about HAKKO products.

HAKKO
CORPORATION

HAKKO CORPORATION

HEAD OFFICE / SALES DEPARTMENT

Unity Forum 5F, 42-18, 1-Chome Itabashi, Itabashi-Ku, Tokyo 173-0004, Japan
TEL (81) 3-3963-5381 FAX (81) 3-3961-4400

OSAKA OFFICE

Akatsuki Building 7F, 13-45, Toyotsu-cho, Suita-shi, Osaka 564-0051, Japan
TEL (81) 6-6310-6880

SAITAMA FACTORY · AKITA FACTORY

URL: <https://eightron.co.jp/English>