

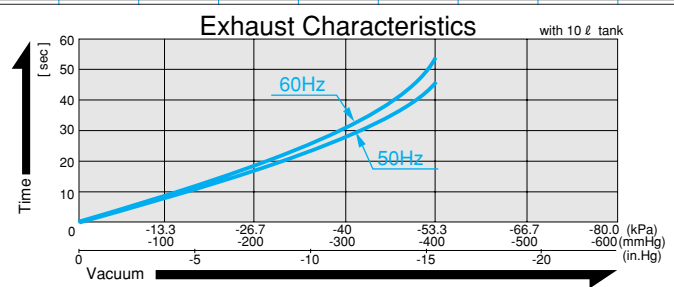
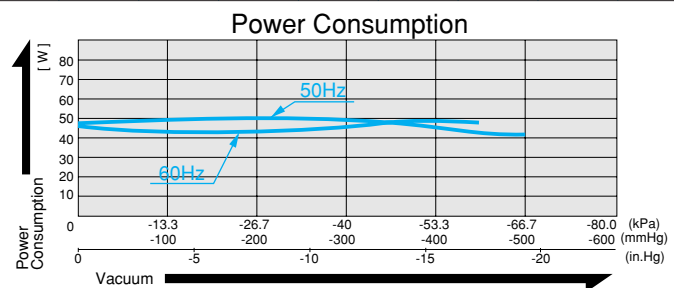
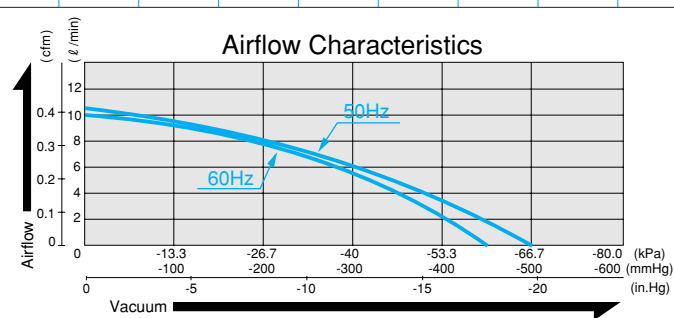
LINEAR

VP0645

 
**MOTOR FREE
 PISTON SYSTEM**



Airflow & Power Consumption

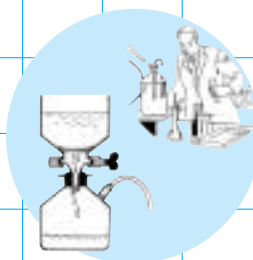


Specifications

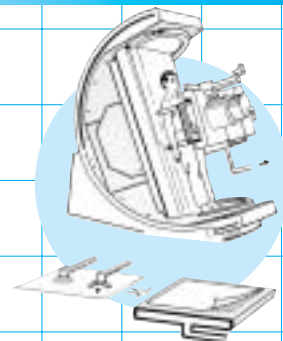
	(SI)	(EURO)	(U.S.A.)
Attainable Vacuum	-60 kPa (-450 mmHg)	-600 mbar	-17.7 in.Hg
Free Air Displacement	10 l/min		0.28 cfm
Rated Voltage	115 V,AC or 230 V,AC		
Power Consumption	48 W or 50 W		
Rated Frequency	60 Hz or 50 Hz		
Life Expectancy	3,000 hours		
Inlet	15 mm O.D. hose nipple		
Outlet	ISO Rc 1/4 (female threaded)		
Duty Cycle	Continuous		
Coil Insulation Class	E or its equivalent (JETL)		
Mounting Dimensions	68 (L) x 84 (W) mm		
Gross Weight	3.2 kg		7.1 Lbs.
Leadwire Length	200 mm		7-7/8"

* Life expectancy is the expected accumulated period of time during which the compressor will maintain the above specifications. Contact your supplier for details of the conditions of use under which the values and numbers stated herein are maintained.

Application Examples

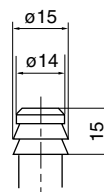
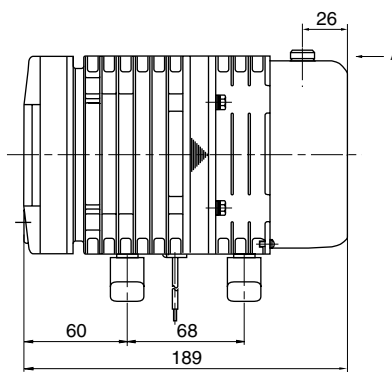
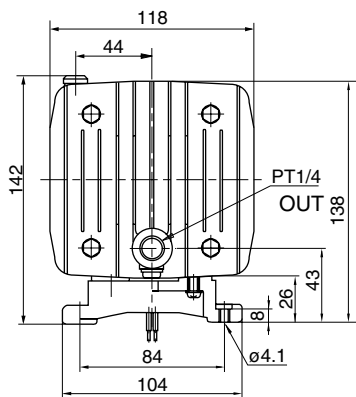


Liquid Purification



X-ray Film Positioning

Sketch Drawing and Mounting Dimensions Diagram (mm)



View A
 Inlet details