

DIAPHRAGM PUMP

Diaphragm Pump

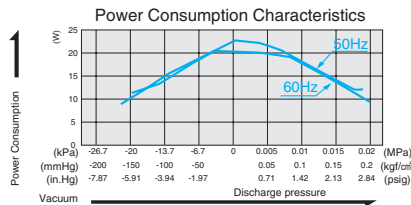
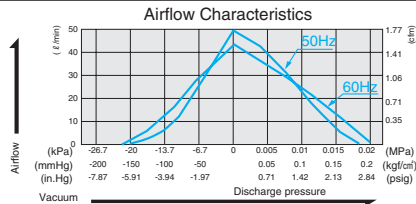


vc0201/vc0301

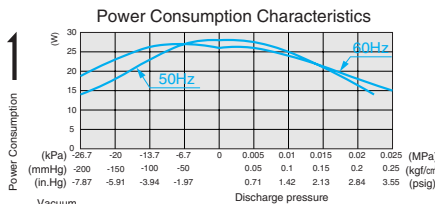
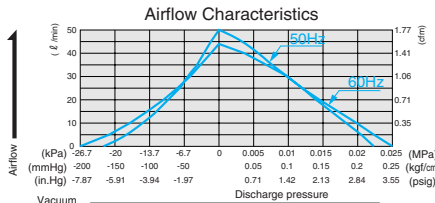
Airflow & Power Consumption

Specifications

VC0201



VC0301



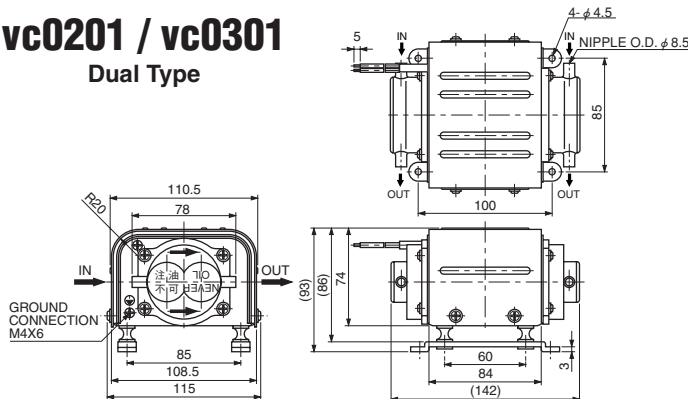
VC0201	(SI)	(EURO)	(U.S.A.)
Rated Pressure	0.01 MPa {0.1 kgf/cm ² }	0.1 bar	1.42 psig
Rated Airflow	20 l /min		0.71 cfm
Rated Voltage	120 V, AC or 230 V, AC		
Maximum Pressure	0.018 MPa {0.18 kgf/cm ² }	0.18 bar	2.56 psig
Max. vacuum*	-18.7 kPa {-140 mmHg}	-187 mbar	-5.5 in.Hg
Power Consumption	18 W or 19 W		
Rated Frequency	60 Hz or 50 Hz		
Working Pressure Range	-18.7kPa~0.018 MPa	-187 mbar ~	-5.5 in.Hg ~
	{-140mmHg~0.18 kgf/cm ² }	0.18 bar	2.56 psig
Life Expectancy	10,000 hours		
Outlet (or Inlet)	Dia 8.5 mm OD hose nipple		
Duty Cycle	Continuous		
Coil Insulation Class	A for 120V B for 230V or its equivalent		
Mounting Dimensions	100 (L) x 85 (W) mm		
Gross Weight	1.8 kg	4 Lbs.	
Leadwire Length	200 mm	7-7/8"	

VC0301	(SI)	(EURO)	(U.S.A.)
Rated Pressure	0.01 MPa {0.1 kgf/cm ² }	0.1 bar	1.42 psig
Rated Airflow 0301	25 l /min		0.88 cfm
Rated Voltage	120 V, AC or 230 V, AC		
Maximum Pressure	0.02 MPa {0.2 kgf/cm ² }	0.2 bar	2.84 psig
Max. vacuum*	-21.3 kPa {-160 mmHg}	-213 mbar	-6.3 in.Hg
Power Consumption	24 W or 25 W		
Rated Frequency	60 Hz or 50 Hz		
Working Pressure Range	-21.3kPa~0.02 MPa	-213 mbar ~	-6.3 in.Hg ~
	{-160mmHg~0.2 kgf/cm ² }	0.2 bar	2.84 psig
Life Expectancy	10,000 hours		
Outlet (or Inlet)	Dia 8.5 mm OD hose nipple		
Duty Cycle	Continuous		
Coil Insulation Class	A for 120V B for 230V or its equivalent		
Mounting Dimensions	100 (L) x 85 (W) mm		
Gross Weight	1.8 kg	4 Lbs.	
Leadwire Length	200 mm	7-7/8"	

* Life expectancy is the expected accumulated period of time during which the compressor will maintain the above specifications. Contact your supplier for details of the conditions of use under which the values and numbers stated herein are maintained.
 * Max. vacuum for Dual Type only.

Sketch Drawing and Mounting Dimensions Diagram (mm)

vc0201 / vc0301
Dual Type



vc0201 / vc0301
Blower Type

