

DC AIR PUMP

Diaphragm Pump

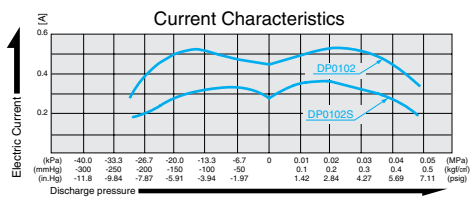
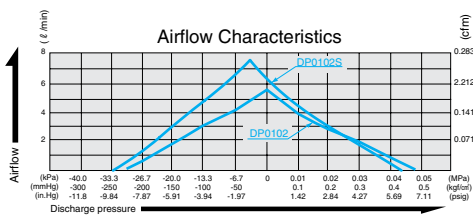


DP0102 / DP0102S / DP0102H

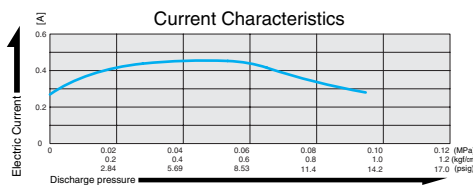
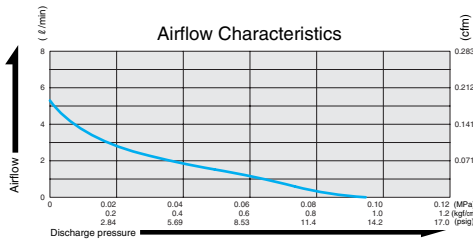
Airflow & Power Consumption

Specifications

DP0102 DP0102S



DP0102H



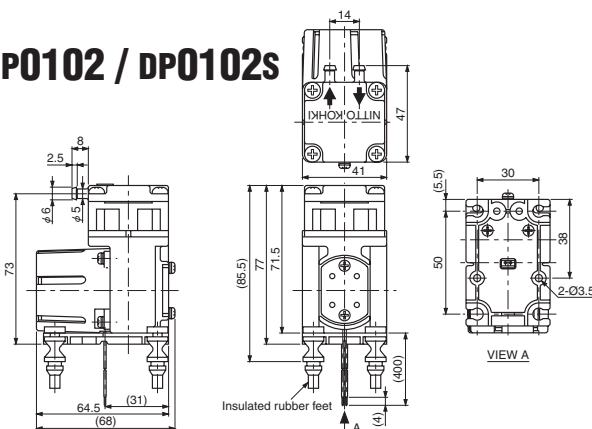
DP0102/0102S	(SI)	(EURO)	(U.S.A.)
Attainable Vacuum	-26.7 kPa (-200 mmHg)	-267 mbar	-7.87 in.Hg
Free Air	DP0102: 5.0 l/min		0.177 cfm
Displacement	DP0102S: 7.0 l/min		0.247 cfm
Rated Voltage	DP0102: 12 V, DC	DP0102S: 24 V, DC	
Maximum Pressure	0.045 MPa{0.45kg/cm ² }	0.45 bar	6.4 psig
Maximum Current	DP0102: 0.7 A	DP0102S: 0.5 A	
Rated Operating Time	Continuous		
Working Pressure Range	-26.7kPa~-0.045 MPa {-200mmHg~-0.45kg/cm ² }	-267 mbar~ 0.45 bar	-7.9 in.Hg~ 6.4 psig
Life Expectancy	5000 hours		
Inlet and Outlet	6 mm O.D. straight nipple		
Coil Insulation Class	E or its equivalent (JETL)		
Mounting Dimensions	50 (L) x 30 (W) mm	1 ^{3/32} (L) x 1 ^{3/16} (W) in.	
Gross Weight	0.25 kg	0.55 Lbs.	

DP0102H	(SI)	(EURO)	(U.S.A.)
Free Air Displacement	4.0 l/min		0.14 cfm
Rated Voltage	12 V, DC		
Maximum Pressure	0.08 MPa{0.8kg/cm ² }	0.8 bar	11.4 psig
Maximum Current	0.7 A		
Rated Operating Time	Continuous		
Working Pressure Range	0~-0.08 MPa{0~0.8kg/cm ² }	0~0.8 bar	0~11.4 psig
Life Expectancy	3000 hours		
Inlet and Outlet	6 mm O.D. hose nipple		
Coil Insulation Class	E or its equivalent (JETL)		
Mounting Dimensions	50 (L) x 30 (W) mm	1 ^{3/32} (L) x 1 ^{3/16} (W) in.	
Gross Weight	0.25 kg	0.55 Lbs.	

* Life expectancy is the expected accumulated period of time during which the compressor will maintain the above specifications. Contact your supplier for details of the conditions of use under which the values and numbers stated herein are maintained.

Sketch Drawing and Mounting Dimensions Diagram (mm)

DP0102 / DP0102S



DP0102H

