

COMPRESSOR

# LINEAR



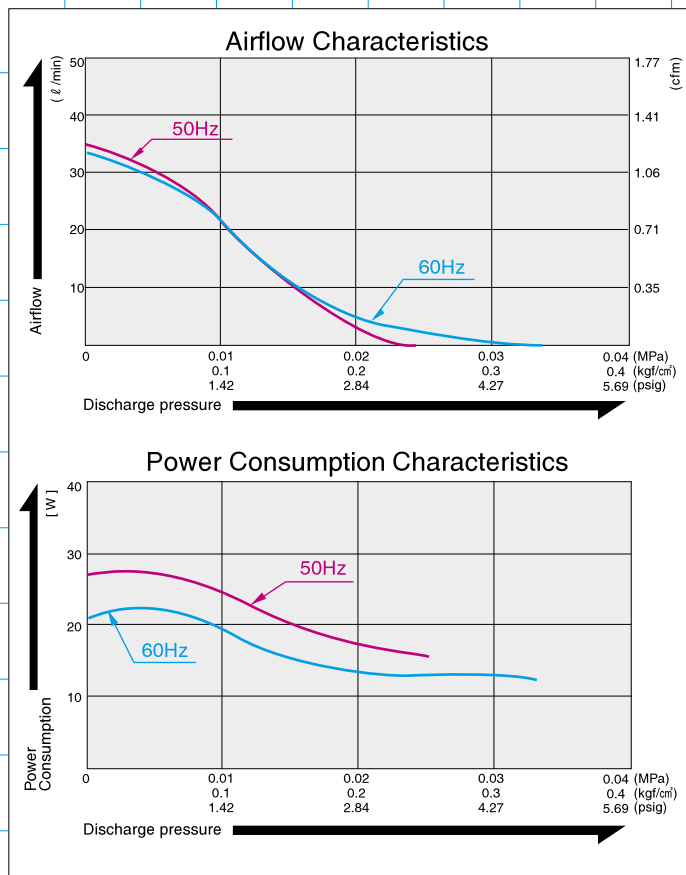
MOTOR FREE  
PISTON SYSTEM



# Ac0201A

Airflow & Power Consumption

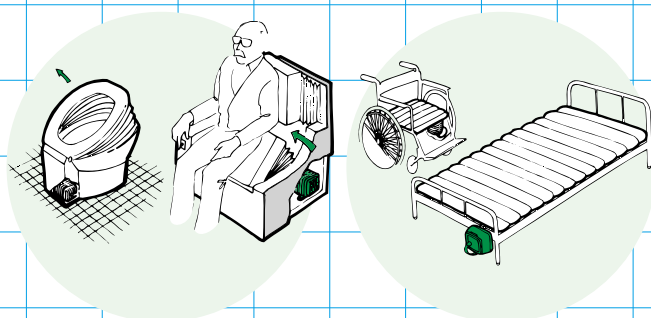
Specifications



	(SI)	(EURO)	(U.S.A.)
Rated Pressure	0.01 MPa (0.1 kgf/cm <sup>2</sup> )	0.1 bar	1.42 psig
Rated Airflow	20 l/min		
Rated Voltage	115 V AC or 230 V AC		
Maximum Pressure	0.02 MPa (0.2 kgf/cm <sup>2</sup> )	0.2 bar	2.84 psig
Power Consumption	19 W or 23 W		
Rated Frequency	60 Hz or 50 Hz		
Life Expectancy	6,000 hours		
Outlet	ISO Rc 1/4 (female threaded)		
Duty Cycle	Continuous		
Coil Insulation Class	E or its equivalent (JETL) and B for UL		
Mounting Dimensions	73 (L) x 88 (W) mm	2-7/8" (L) x 3-15/32" (W)	
Gross Weight	1.5 kg	3.3 Lbs.	
Leadwire Length	200 mm	7-7/8"	

Please read the page of "How to Use This Catalog" first for correct use of compressors and pumps.

Application Examples



Seat Lifter

Bed Sore Prevention Mattress

Sketch Drawing and Mounting Dimensions Diagram (mm)

