

COMPRESSOR

LINEAR



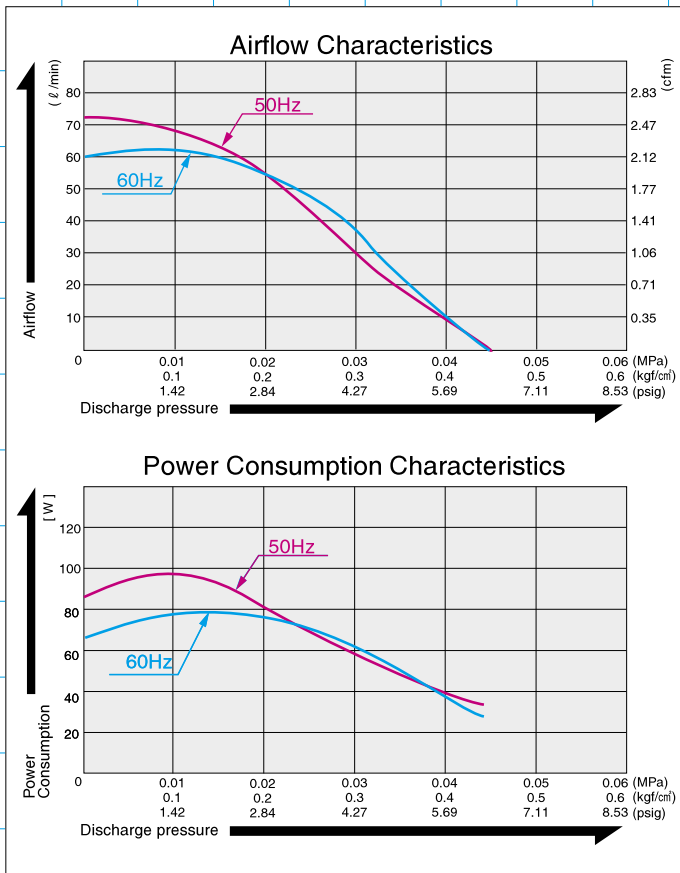
MOTOR FREE
PISTON SYSTEM



Ac0902

Airflow & Power Consumption

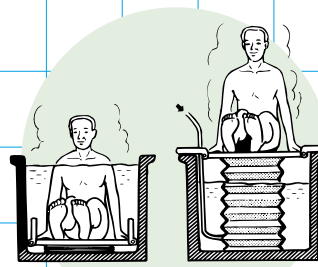
Specifications



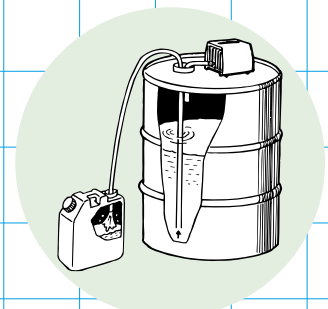
	(SI)	(EURO)	(U.S.A.)
Rated Pressure	0.02 MPa (0.2 kgf/cm ²)	0.2 bar	2.84 psig
Rated Airflow	55 l/min		1.94 cfm
Rated Voltage	115 V AC or 230 V AC		
Maximum Pressure	0.045 MPa (0.45 kgf/cm ²)	0.45 bar	6.4 psig
Power Consumption	75 W or 85 W		
Rated Frequency	60 Hz or 50 Hz		
Life Expectancy	10,000 hours		
Outlet	ISO Rc 3/8 (female threaded)		
Duty Cycle	Continuous		
Coil Insulation Class	E or its equivalent (JETL) and B for UL		
Mounting Dimensions	102 (L) x 130 (W) mm	4"(L) x 5-1/8"(W)	
Gross Weight	4.9 kg	10.8 Lbs.	
Leadwire Length	300 mm	11-13/16" for 115V	

Please read the page of "How to Use This Catalog" first for correct use of compressors and pumps.

Application Examples



Air Lifter for Bathtub



Liquid Dispenser

Sketch Drawing and Mounting Dimensions Diagram (mm)

