

COMPRESSOR

LINEAR

Ac0110

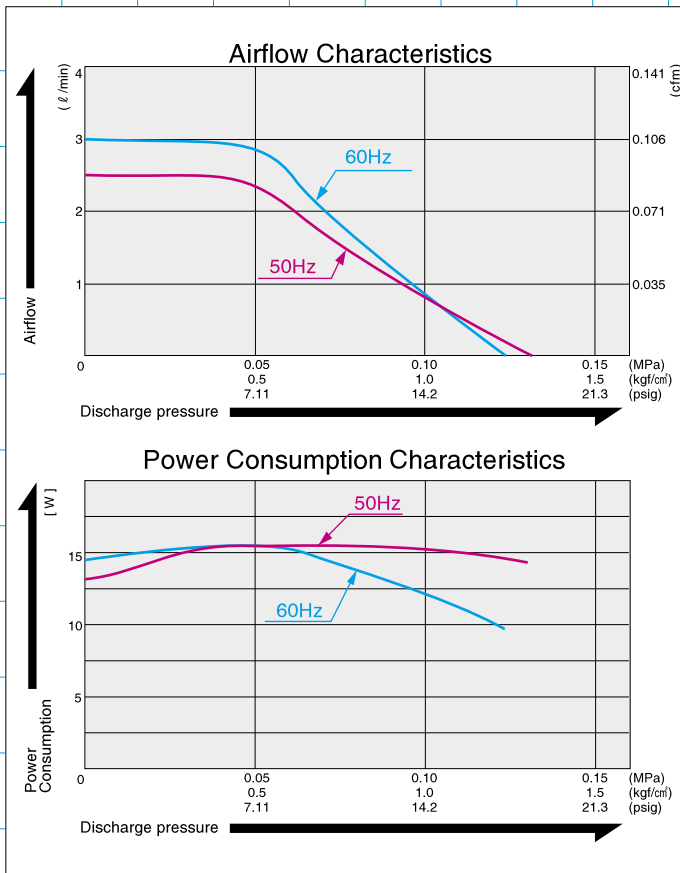


MOTOR FREE
PISTON SYSTEM



Airflow & Power Consumption

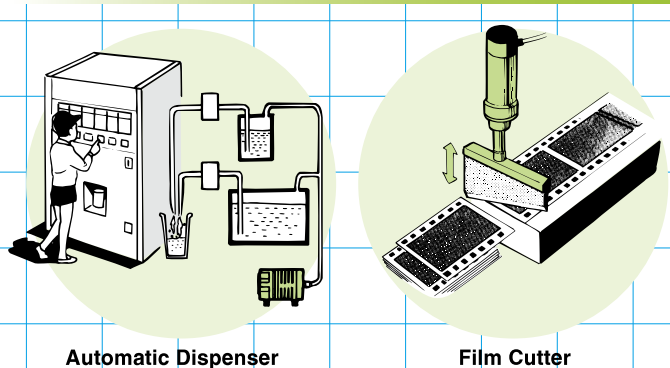
Specifications



	(SI)	(EURO)	(U.S.A.)
Rated Pressure	0.1 MPa {1.0 kgf/cm ² }	1.0 bar	14.2 psig
Rated Airflow	0.8 l/min		0.028 cfm
Rated Voltage	115 V AC or 230 V AC		
Maximum Pressure	0.12 MPa {1.2 kgf/cm ² }	1.2 bar	17.1 psig
Power Consumption	12 W or 15 W		
Rated Frequency	60 Hz or 50 Hz		
Life Expectancy	3,000 hours		
Outlet	6 mm O.D. hose nipple		
Duty Cycle	30 minutes		
Coil Insulation Class	E or its equivalent (JETL) and B for UL		
Mounting Dimensions	48 (L) x 62 (W) mm	1-7/8" (L) x 2-7/16" (W)	
Gross Weight	0.7 kg	1.54 Lbs.	
Leadwire Length	200 mm	7-7/8"	

Please read the page of "How to Use This Catalog" first for correct use of compressors and pumps.

Application Examples



Sketch Drawing and Mounting Dimensions Diagram (mm)

