

VACUUM PUMP

LINEAR

VP0140

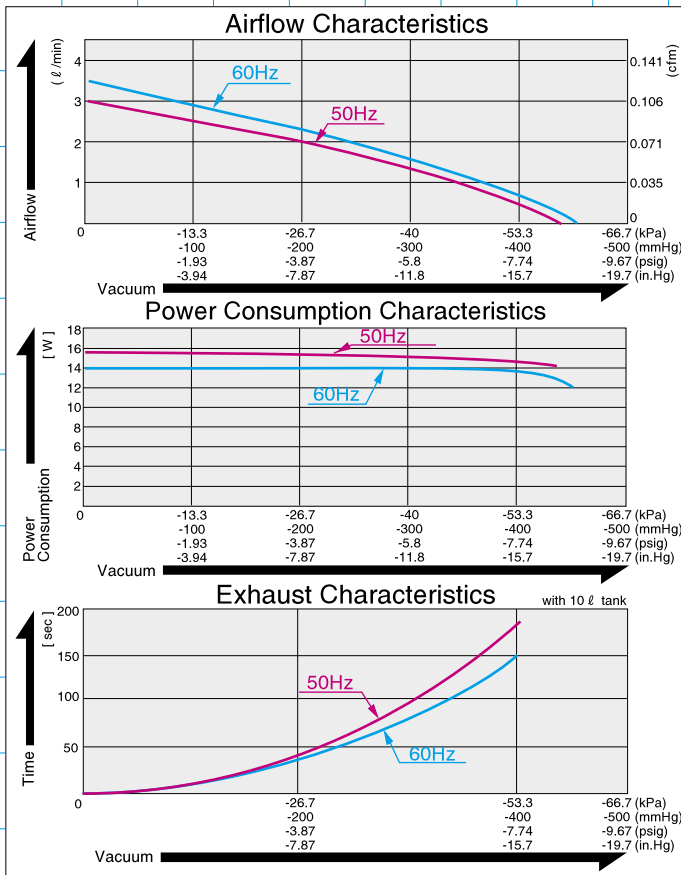


**MOTOR FREE
PISTON SYSTEM**



Airflow & Power Consumption

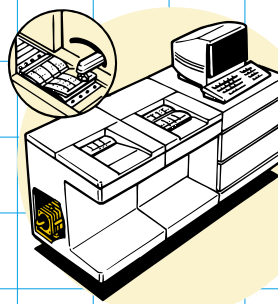
Specifications



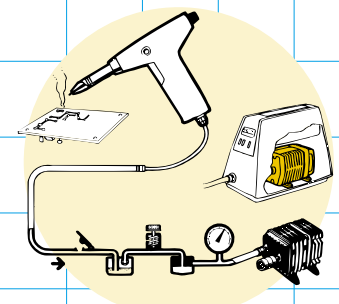
| | (SI) | (EURO) | (U.S.A.) |
|-----------------------|---|--------------------------|-------------|
| Attainable Vacuum | -53.3 kPa (-400 mmHg) | -533 mbar | -15.7 in.Hg |
| Free Air Displacement | 3 l /min | | |
| Rated Voltage | 115 V AC or 230 V AC | | |
| Power Consumption | 14 W or 15 W | | |
| Rated Frequency | 60 Hz or 50 Hz | | |
| Life Expectancy | 3,000 hours | | |
| Inlet | 6 mm O.D. hose nipple | | |
| Outlet | 6 mm O.D. hose nipple | | |
| Duty Cycle | 60 minutes | | |
| Coil Insulation Class | E or its equivalent (JETL) and B for UL | | |
| Mounting Dimensions | 48 (L) x 62 (W) mm | 1-7/8" (L) x 2-7/16" (W) | |
| Gross Weight | 0.7 kg | 1.54 Lbs. | |
| Leadwire Length | 200 mm | 7-7/8" | |

Please read the page of "How to Use This Catalog" first for correct use of compressors and pumps.
*Operations at higher than -53.5kPa need an additional leak valve or relief valve on the inlet piping.

Application Examples



Page Scroller



Solder Fume Suction

Sketch Drawing and Mounting Dimensions Diagram (mm)

