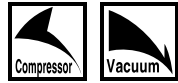


LINEAR

VP0945

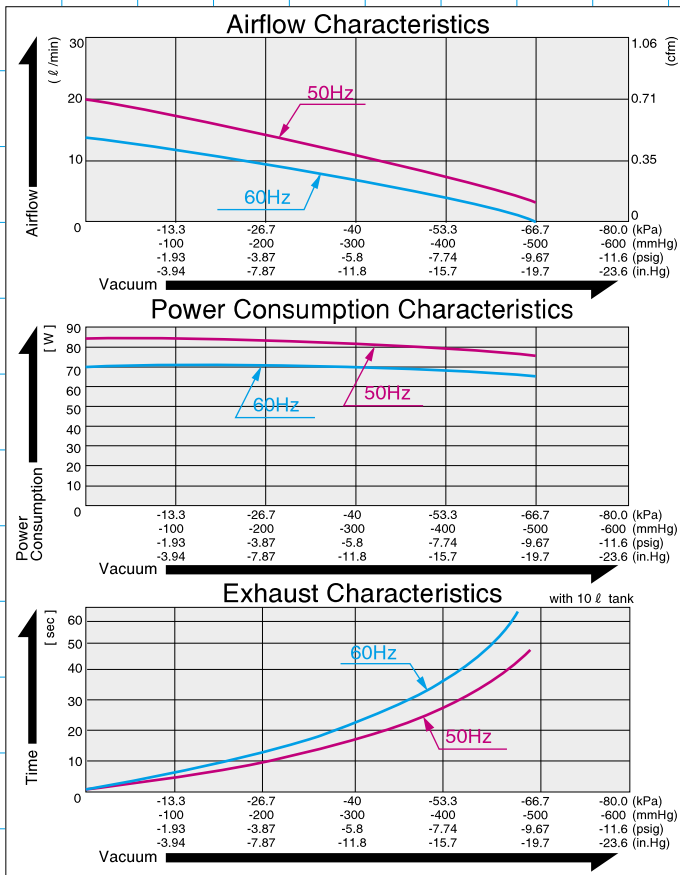


MOTOR FREE
PISTON SYSTEM



Airflow & Power Consumption

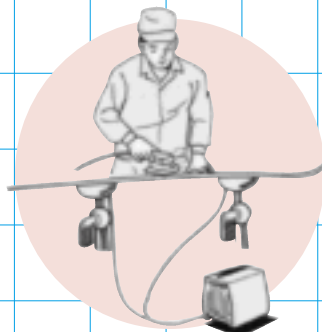
Specifications



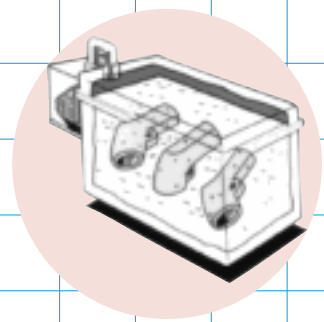
	(SI)	(EURO)	(U.S.A.)
Attainable Vacuum	-60 kPa (-450 mmHg)	-600 mbar	-17.7 in.Hg
Free Air Displacement	12 l/min		0.424 cfm
Rated Voltage	115 V AC or 230 V AC		
Power Consumption	70 W or 85 W		
Rated Frequency	60 Hz or 50 Hz		
Life Expectancy	3,000 hours		
Inlet	15 mm O.D. hose nipple		
Outlet	ISO Rc 1/4 (female threaded)		
Duty Cycle	Continuous		
Coil Insulation Class	E or its equivalent (JETL)		
Mounting Dimensions	102 (L) x 130 (W) mm	4" (L) x 5-1/8" (W)	
Gross Weight	4.9 kg	10.8 Lbs.	
Leadwire Length	150 mm or 300 mm	5-7/8"	

Please read the page of "How to Use This Catalog" first for correct use of compressors and pumps.
*Operations at higher than -60kPa need an additional leak valve or relief valve on the inlet piping.

Application Examples

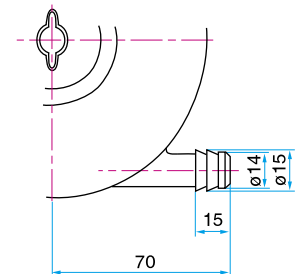
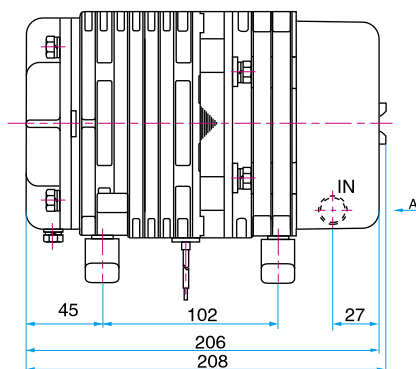
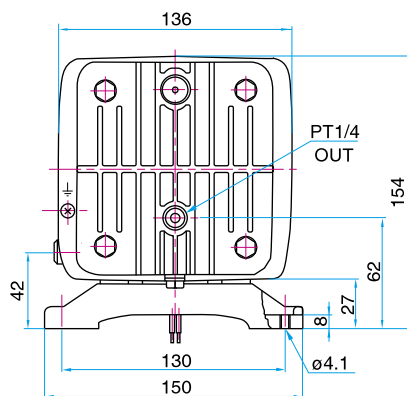


Vacuum Vice



Impregnation Depressurizer

Sketch Drawing and Mounting Dimensions Diagram (mm)



View A

Inlet details