

LINEAR

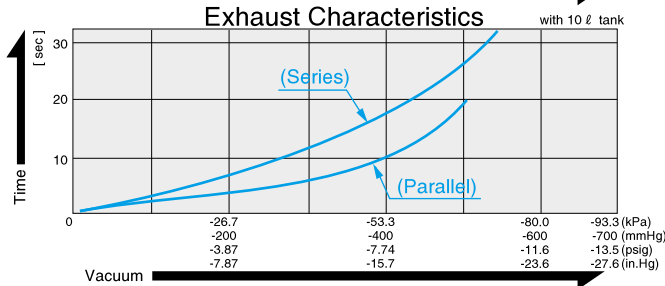
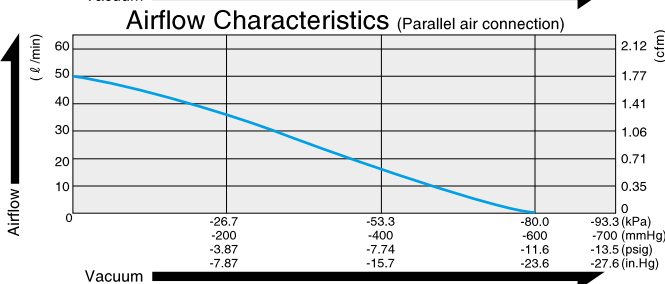
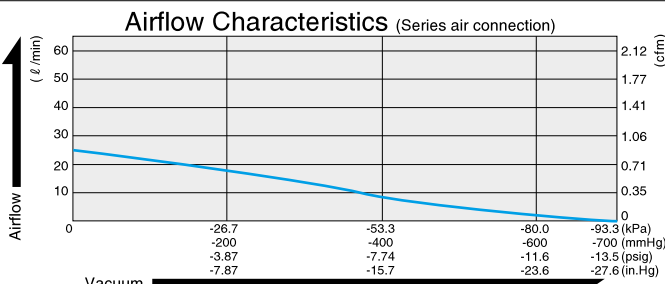

**MOTOR FREE
 PISTON SYSTEM**



VP0660x2

Airflow & Power Consumption

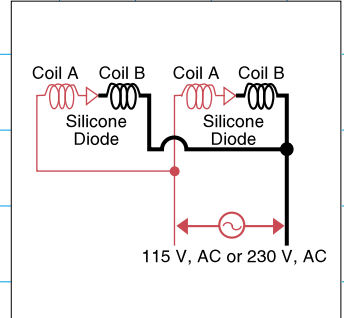
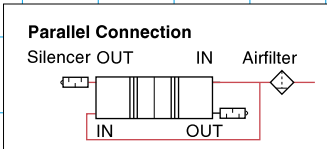
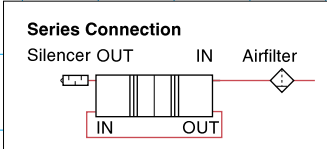
Specifications



	Series Connection	Parallel Connection
Attainable Vacuum	-93.3 kPa (-700 mmHg) -933 mbar or -27.5 inHg	-80 kPa (-600 mmHg) -800 mbar or -23.6 inHg
Free Air Displacement	25 l/min or 0.88 cfm	50 l/min or 1.77 cfm
Rated Voltage	115 V AC or 230 V AC	
Power Consumption	125 W or 100 W	
Rated Frequency	60 Hz or 50 Hz	
Life Expectancy	6,000 hours	
Inlet	ISO Rc 1/4 (female threaded); 2 ports	
Outlet	ISO Rc 1/4 (female threaded); 2 ports	
Duty Cycle	Continuous	
Coil Insulation Class	B or its equivalent (JETL)	
Mounting Dimensions	280 (L) x 130 (W) mm { 11"(L) x 5-1/8"(W) }	
Gross Weight	10 kg (22 Lbs.)	
Leadwire Length	150 mm (5-7/8")	

Please read the page of "How to Use This Catalog" first for correct use of compressors and pumps.
 *Operations at higher than -93.3kPa in series or -80kPa in parallel need an additional leak valve or relief valve on the inlet piping.

Application Examples



* Air line connection is required by user.

Sketch Drawing and Mounting Dimensions Diagram (mm)

