

COMPRESSOR

LINEAR



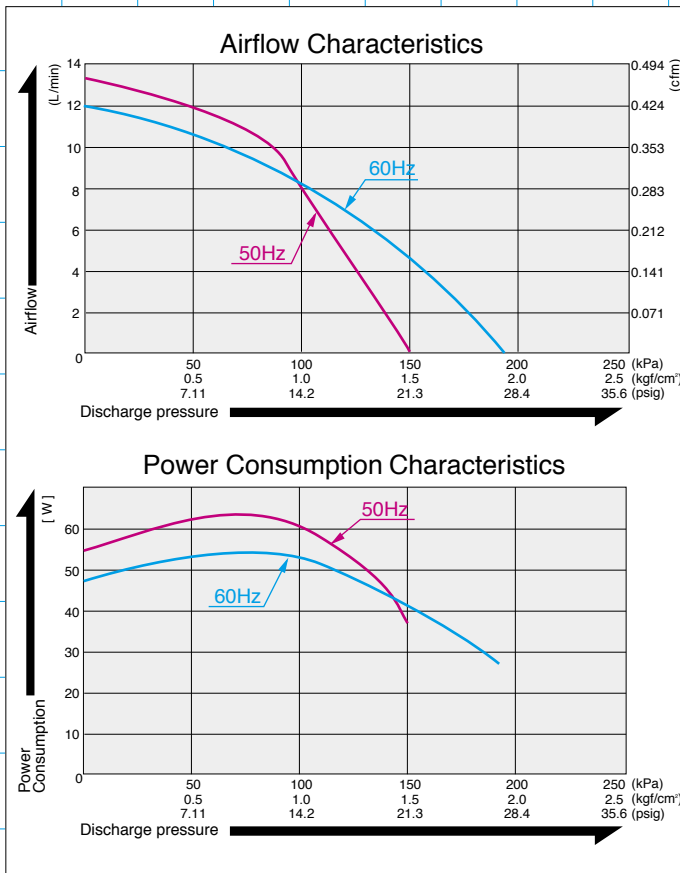
MOTOR FREE
PISTON SYSTEM



Ac0610A

Airflow & Power Consumption

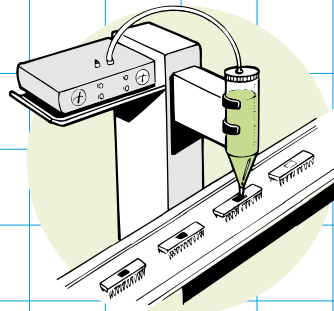
Specifications



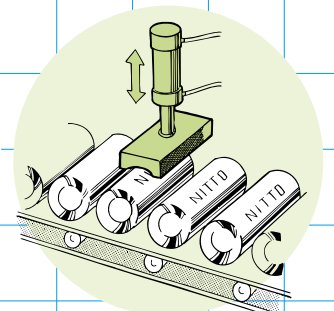
	(SI)	(EURO)	(U.S.A.)
Rated Pressure	100 kPa {1.0 kgf/cm ² }	1.0 bar	14.2 psig
Rated Airflow	8 L/min		0.283 cfm
Rated Voltage	115 V AC or 230 V AC		
Maximum Pressure	150 kPa {1.5 kgf/cm ² }	1.5 bar	21.3 psig
Power Consumption	52 W or 60 W		
Rated Frequency	60 Hz or 50 Hz		
Life Expectancy	10,000 hours		
Outlet	ISO Rc 1/4		
Duty Cycle	Continuous		
Coil Insulation Class	F or its equivalent (JETL) and F ^{#1}		
Mounting Dimensions	68 (L) x 84 (W) mm	2-11/16" (L) x 3-5/16" (W)	
Gross Weight	3.2 kg	7.1 Lbs.	
Leadwire Length	200 mm	7-7/8"	

※1: Will apply for UL.
Please read the page of "How to Use This Catalog" first for correct use of compressors and pumps.

Application Examples



Dispenser



Automatic Stamper

Sketch Drawing and Mounting Dimensions Diagram (mm)

