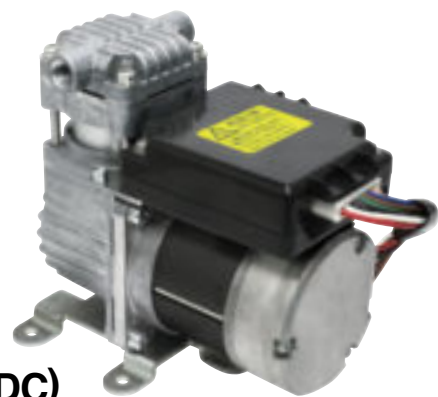


DC AIR PUMP

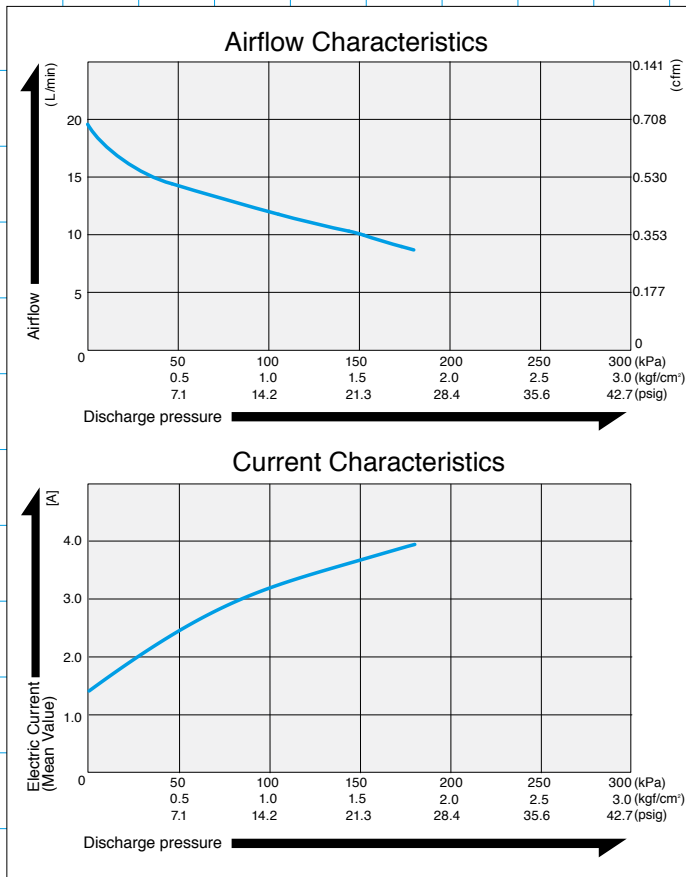
PISTON PUMP



DP0410-X2 (12 V DC)

Airflow & Electric Current

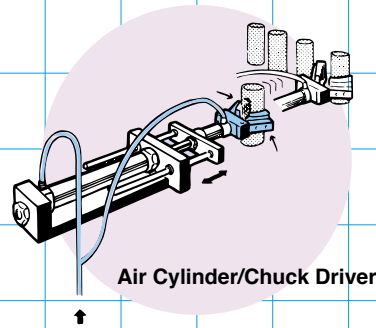
Specifications



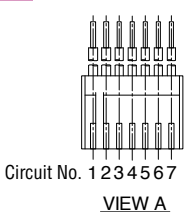
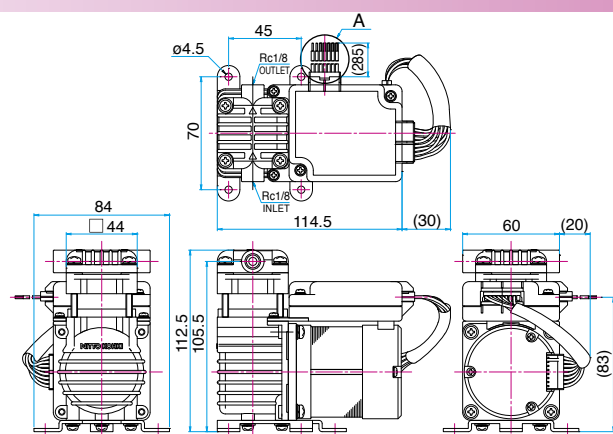
	(SI)	(EURO)	(U.S.A.)
Free Air Displacement	18 L/min		0.64 cfm
Rated Voltage	12 V DC		
Maximum Pressure	180 kPa {1.8 kgf/cm ² }	1.8 bar	25.6 psig
Maximum Current	5.0 A		
Rated Operating Time	Continuous		
Working Pressure Range	0 - 180 kPa {0 - 1.8 kgf/cm ² }	0 - 1.8 bar	0 - 25.6 psig
Life Expectancy(MTTF)	10,000 hours		
Inlet and Outlet	ISO Rc 1/8		
Coil Insulation Class	E or its equivalent (JETL)		
Mounting Dimensions	70 mm(L) x 45 mm(W)	2-3/4" (L) x 1-3/4" (W)	
Gross Weight	1.1 kg		2.43 Lbs.
Leadwire Length	285 mm		11-1/4"

Please read the page of "How to Use This Catalog" first for correct use of compressors and pumps.

Application Examples



Sketch Drawing and Mounting Dimensions Diagram (mm)



[Connection Table]

Circuit No.	Power Source		Control Signal				
	1	2	3	4	5	6	7
Cord Color	Red	Black	Brown	Orange	Yellow	Green	Gray
Function	V+	V-	DRIVE / FREE	PULSE	ALARM	SPEED	SGND
Option	Function Off		ON		OFF		
	Function On		ON		ON		
Cord Size	AWG20		AWG22				
Line Type	UL1007						

※ Control function is "OFF" by default.