

Made-to-order VACUUM PUMP

LINEAR

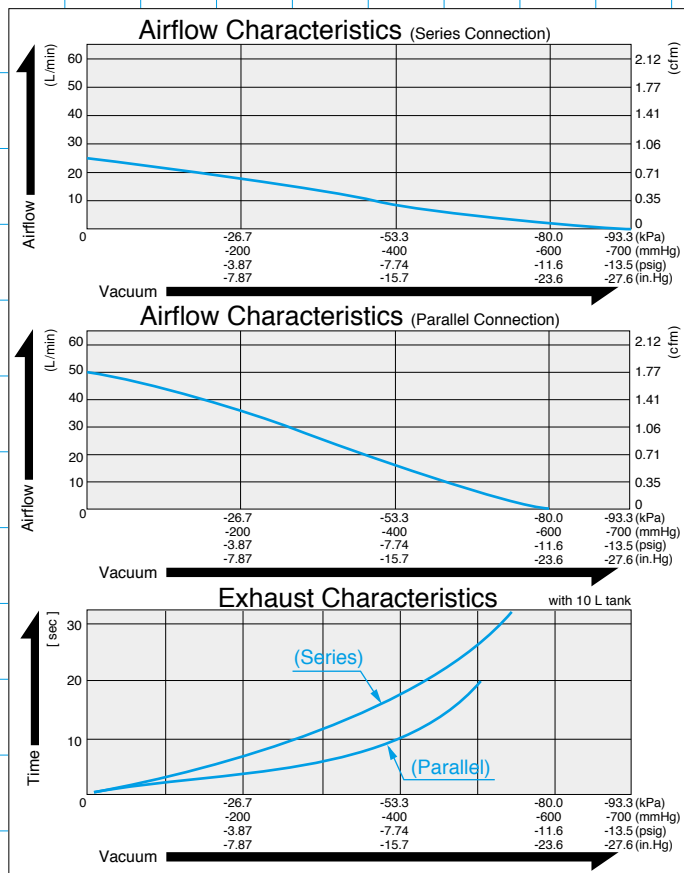
 
**MOTOR FREE
 PISTON SYSTEM**



VP0660x2

Airflow & Power Consumption

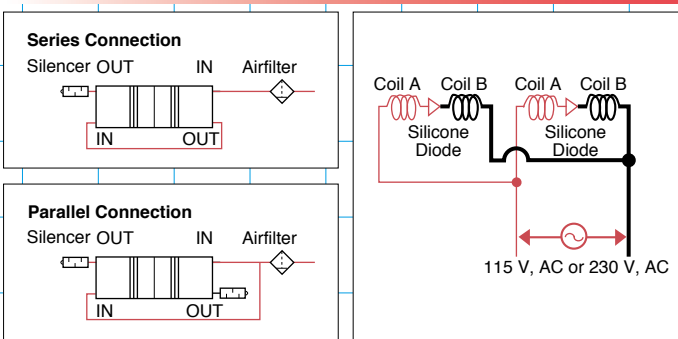
Specifications



	Series Connection	Parallel Connection
Attainable Vacuum ^{※1}	-93.3 kPa (-700 mmHg) -933 mbar or -27.5 inHg	-80 kPa (-600 mmHg) -800 mbar or -23.6 inHg
Free Air Displacement	25 L/min or 0.88 cfm	50 L/min or 1.77 cfm
Rated Voltage	115 V AC or 230 V AC	
Power Consumption	125 W or 100 W	
Rated Frequency	60 Hz or 50 Hz	
Life Expectancy	6,000 hours	
Inlet	ISO Rc 1/4 ; 2 ports	
Outlet	ISO Rc 1/4 ; 2 ports	
Duty Cycle	Continuous	
Coil Insulation Class	B or its equivalent (JETL)	
Mounting Dimensions	280 (L) x 130 (W) mm { 11"(L) x 5-1/8"(W) }	
Gross Weight	10 kg (22 Lbs.)	
Leadwire Length	150 mm (5-7/8")	

※1: Operations at higher than -93.3kPa in series or -80kPa in parallel need an additional leak valve or relief valve on the inlet piping.
 Please read the page of "How to Use This Catalog" first for correct use of compressors and pumps.

Application Examples



* Air line connection is required by user.

Sketch Drawing and Mounting Dimensions Diagram (mm)

