

# MACP302 series

AIR UNITS (F.R.L.UNIT)



mindman

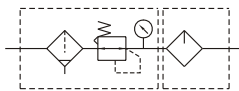
## Specification

Model	MACP302		
Components	MAFR302, MAL302		
Bore No.	8A	10A	15A
Port size	1/4	3/8	1/2
Medium	Air		
Operating pressure range (※)	0.05~1 MPa		
Proof pressure	1.5 MPa		
Regulated pressure range	0.05~0.85 MPa		
Ambient temperature	-5~+60°C (No freezing)		
Filter element	Standard: 5 μm Option: 40 μm		
Lubricating oil capacity	65c.c		
Min. Flow for oil drip	50 ℓ/min	60 ℓ/min	
Recommended lubricating oil	Turbine oil ISO-VG32		
Attachment	Pressure gauge (PG-20), T-type bracket		
Weight	845 g		



Option: MP41

## Symbol



※ 1. Standard unit contains semi-auto-drain function when operating pressure below 0.05 MPa.

※ 2. Choose auto-drain FMRF300, the pressure range is 0.15 ~ 1 MPa.

## Order example

MACP302 - 8A - D - E1 - □ - T8 - □

MODEL

BORE SIZE

8A: 1/4  
10A: 3/8  
15A: 1/2

C: external pressure gauge (PG-40)  
D: auto drain valve (FMRF300)

PRESSURE SWITCH

E1: MP41P-02  
E2: MP41P-02-QD  
E3: MP41P-02-J  
E4: MP41P-02-QD-J  
E5: MP41P-04  
E6: MP41P-04-QD  
E7: MP41P-04-J  
E8: MP41P-04-QD-J

※ Refer to page E-13 for the option of digital pressure switch MP41.

FILTER ELEMENT  
Blank: 5 μm  
40u: 40 μm

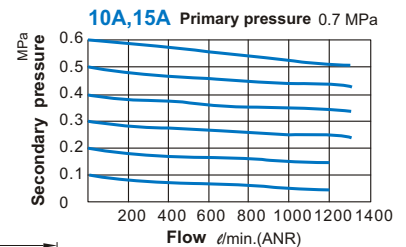
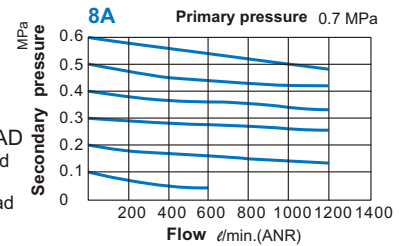
Module mounting bracket

T8: 1/4  
T10: 3/8  
T15: 1/2

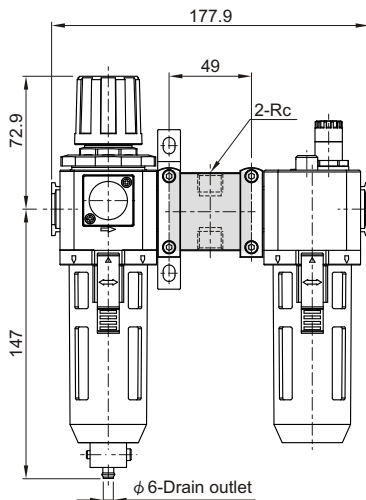
PORT THREAD

Blank: Rc thread  
G: G thread  
NPT: NPT thread

## Flow feature

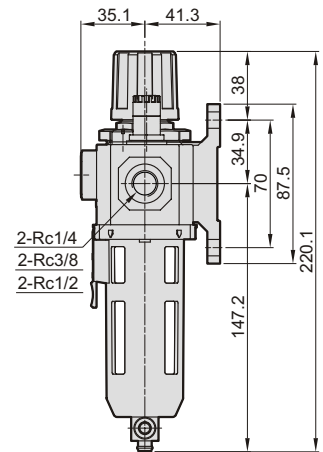
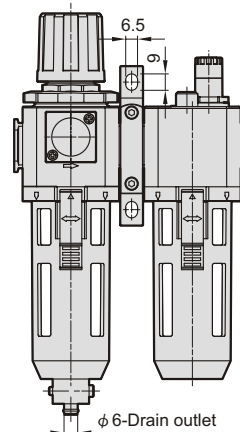
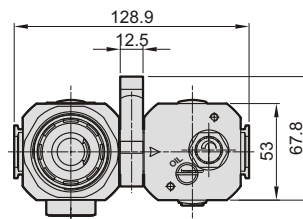
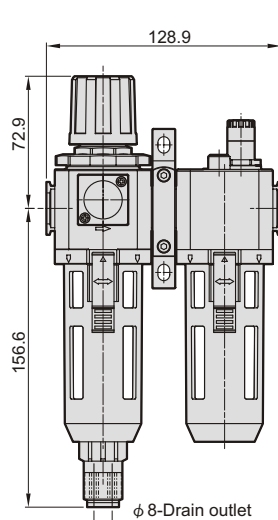


### MACP302-T\* Module mounting bracket



	Rc
T8	Rc1/4
T10	Rc3/8
T15	Rc1/2

### MACP302-D Auto drain valve



mindman

# MACP302-HT with shutoff valve

AIR UNITS (F.R.L.UNIT)



## Order example

MACP302 – 8A – D – E1 – □ – HT – □

MODEL

BORE SIZE

8A: 1/4  
10A: 3/8  
15A: 1/2

PRESSURE SWITCH

E1: MP41P-02  
E2: MP41P-02-QD  
E3: MP41P-02-J  
E4: MP41P-02-QD-J  
E5: MP41P-04  
E6: MP41P-04-QD  
E7: MP41P-04-J  
E8: MP41P-04-QD-J

FILTER ELEMENT

Blank: 5  $\mu$ m  
40u: 40  $\mu$ m

PORT THREAD

Blank: Rc thread  
G: G thread  
NPT: NPT thread

SHUTOFF VALVE

HT: MVHT-300-3H

C: external pressure gauge (PG-40)  
D: auto drain valve (FMRF300)

※ Refer to page E-13 for the option of digital pressure switch MP41.

