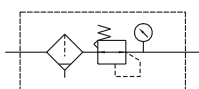


MAFR300 series

AIR UNITS (F.R.UNIT)



Symbol

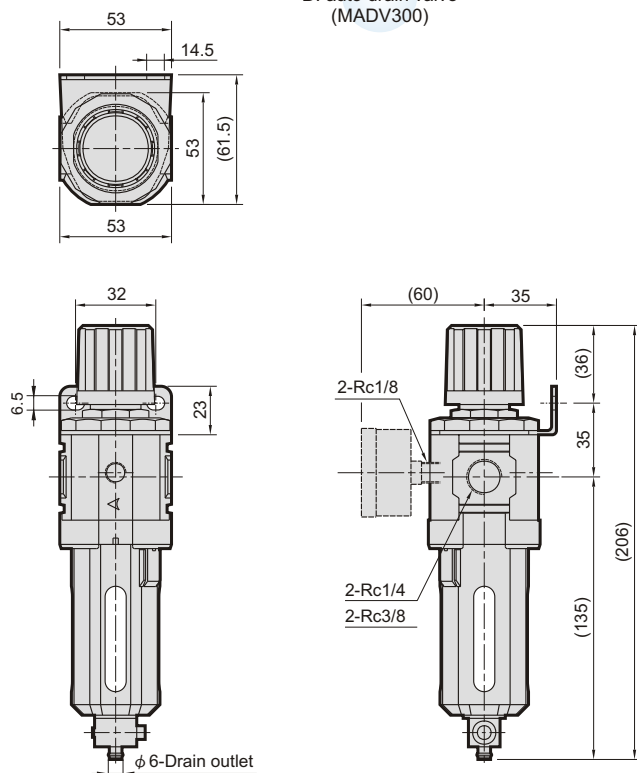
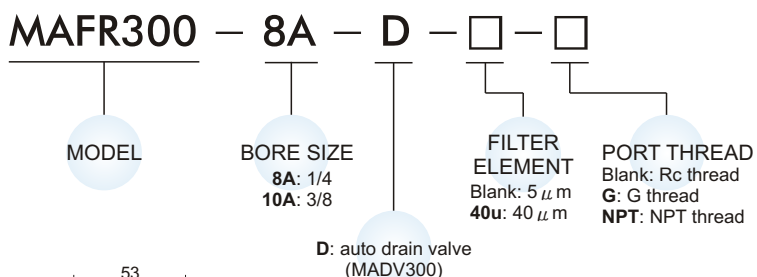


Specification

Model	MAFR300	
Bore No.	8A	10A
Port size	1/4	3/8
Medium	Air	
Operating pressure range	0.05~1 MPa	
Proof pressure	1.5 MPa	
Effective orifice	32 mm ²	34 mm ²
Regulated pressure range	0.05~0.85 MPa	
Ambient temperature	- 5~ + 60°C (No freezing)	
Filter element	Standard: 5 μm Option: 40 μm	
Attachment	Pressure gauge (PG-40), bracket	
Weight	445 g	

※ Standard unit contains semi-auto-drain function when operating pressure below 0.05 MPa.

Order example



Flow feature

