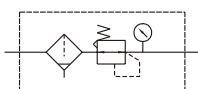


# MAFR400 series

AIR UNITS (F.R.UNIT)



## Symbol



## Specification

Model	MAFR400		
Bore No.	8A	10A	15A
Port size	1/4	3/8	1/2
Medium	Air		
Operating pressure range	0.05~1 MPa		
Proof pressure	1.5 MPa		
Effective orifice	35 mm <sup>2</sup>	60 mm <sup>2</sup>	
Regulated pressure range	0.05~0.85 MPa		
Ambient temperature	-5~+60°C (No freezing)		
Filter element	Standard: 40 μm Option: 5 μm		
Attachment	Pressure gauge (PG-50), bracket		
Weight	1350 g		

## Order example

MAFR400 - 10A - D - □ - □

MODEL

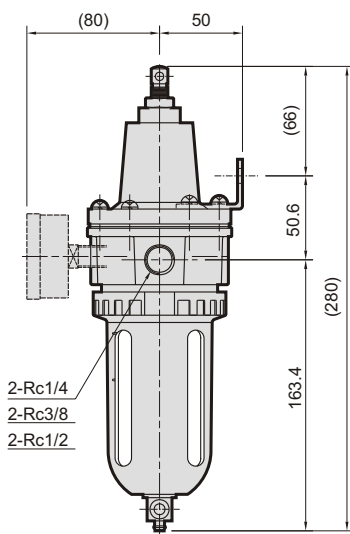
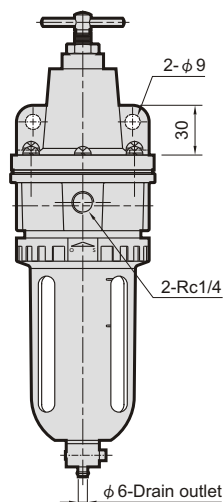
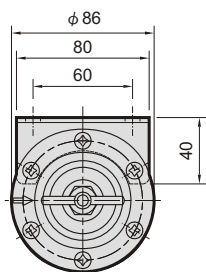
BORE SIZE

8A: 1/4  
10A: 3/8  
15A: 1/2

FILTER ELEMENT  
Blank: 40 μm  
5u: 5 μm

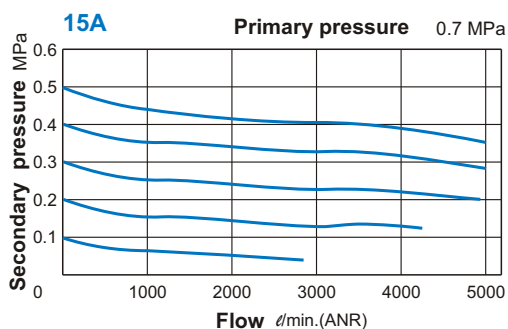
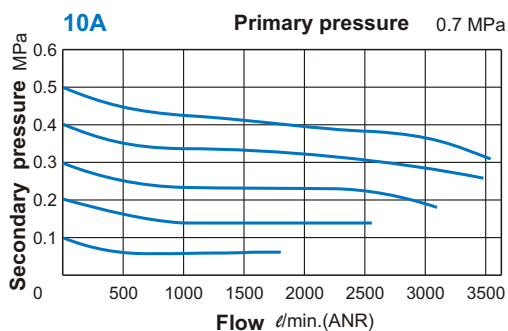
PORT THREAD  
Blank: Rc thread  
G: G thread  
NPT: NPT thread

D: auto drain valve (FMRF300)



※ Standard unit contains semi-auto-drain function when operating pressure below 0.05 MPa.

## Flow feature



Mindman