

# MAFR401 series

AIR UNITS (F.R. UNIT)

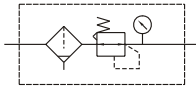


mindman



Option: MP41

## Symbol



## Specification

| Model                        | MAFR401                                |     |     |
|------------------------------|--|-----|-----|
| Bore No.                     | 8A                                     | 10A | 15A |
| Port size                    | 1/4                                    | 3/8 | 1/2 |
| Medium                       | Air                                    |     |     |
| Operating pressure range (※) | 0.05~1.5 MPa                           |     |     |
| Proof pressure               | 2 MPa                                  |     |     |
| Regulated pressure range     | Standard type: 0.1~0.85 MPa            |     |     |
|                              | High pressure type: 0.1~1.5 MPa        |     |     |
| Ambient temperature          | -5~+60°C (No freezing)                 |     |     |
| Filter element               | Standard: 40 μm Option: 5 μm           |     |     |
| Attachment                   | Pressure gauge (PG-20), L-type bracket |     |     |
| Weight                       | 800 g                                  |     |     |

※1. Standard unit contains semi-auto-drain function when operating pressure below 0.05 MPa.

※2. Choose auto-drain FMRF300, the pressure range is 0.15 ~ 1 MPa.

## Order example

MAFR401 - 8A - [ ] - [ ] - [ ]

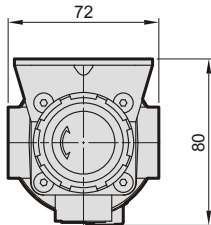
MODEL

BORE SIZE

8A: 1/4  
10A: 3/8  
15A: 1/2

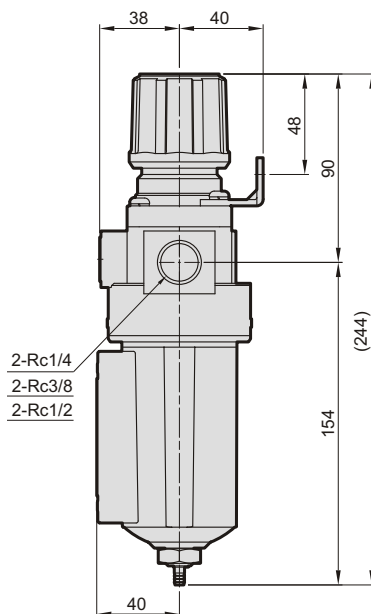
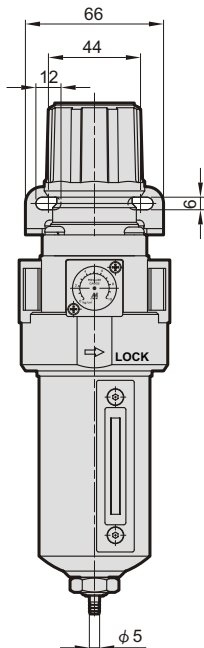
FILTER ELEMENT  
Blank: 40 μm  
5u: 5 μm

PORT THREAD  
Blank: Rc thread  
G: G thread  
NPT: NPT thread



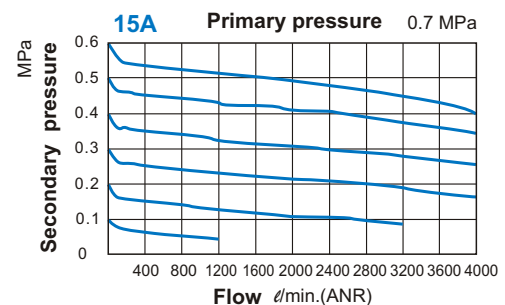
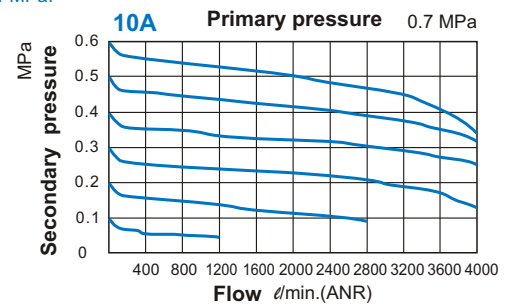
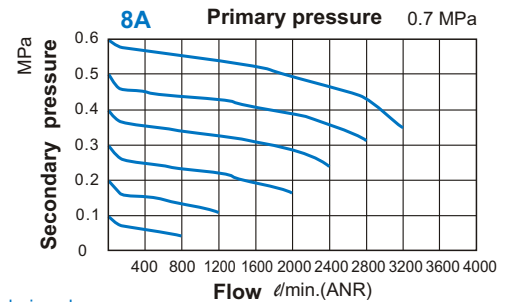
Blank: standard  
C: external pressure gauge (PG-40)  
D: auto drain valve (FMRF300)  
H: high pressure type  
(Required with external pressure gauge PG-40)  
P: pressure switch (MPS series)

※1. (H) High pressure type can not choose with auto drain valve (FMRF300) when operating pressure over than 1 MPa.  
※2. Refer to page E-14 for the option of digital pressure switch MP41.



2-Rc1/4  
2-Rc3/8  
2-Rc1/2

## Flow feature



mindman

# MAFR401-HT with shutoff valve

AIR UNITS (F.R. UNIT)



## Order example

MAFR401 – 8A – D – E1 – □ – HT – □

MODEL

BORE SIZE

8A: 1/4  
10A: 3/8  
15A: 1/2

PRESSURE SWITCH

E1: MP41P-02  
E2: MP41P-02-QD  
E3: MP41P-02-J  
E4: MP41P-02-QD-J  
E5: MP41P-04  
E6: MP41P-04-QD  
E7: MP41P-04-J  
E8: MP41P-04-QD-J

FILTER ELEMENT

Blank: 5  $\mu$ m  
40u: 40  $\mu$ m

PORT THREAD

Blank: Rc thread  
G: G thread  
NPT: NPT thread

SHUTOFF VALVE

HT: MVHT-400-3H

Blank: standard

C: external pressure gauge (PG-40)

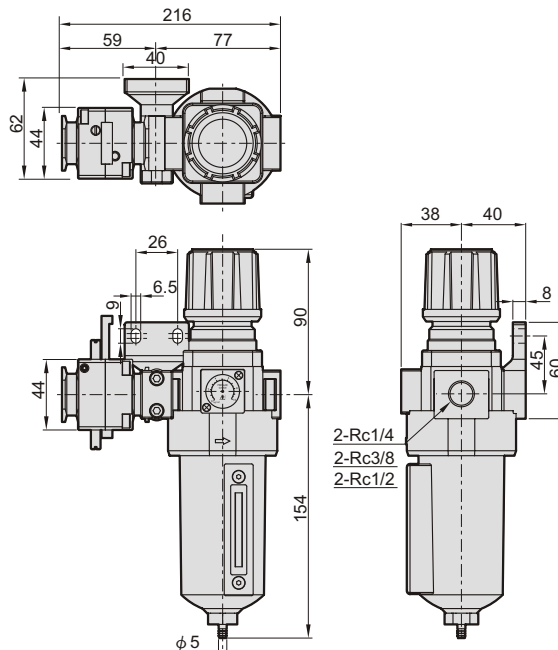
D: auto drain valve (FMRF300)

H: high pressure type (Required with external pressure gauge PG-40)

P: pressure switch (MPS series)

※ Refer to page E-13 for the option of digital pressure switch MP41.

※ (H) High pressure type can not choose with auto drain valve (FMRF300) when operating pressure over than 1 MPa.



Mindman