

# MAL200 series

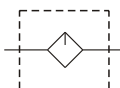
## AIR UNITS (L.UNIT)



mindman



Symbol



### Specification

Model	MAL200	
Bore No.	6A	8A
Port size	1/8	1/4
Medium	Air	
Max. operating pressure	1 MPa	
Proof pressure	1.5 MPa	
Ambient temperature	-5~+60°C (No freezing)	
Lubricating oil capacity	20c.c, 35c.c (MAL200L)	
Min. Flow for oil drip	35 ℓ/min	50 ℓ/min
Recommended lubricating oil	Turbine oil ISO-VG32	
Weight	150 g, 130 g (MAL200L)	

### Order example

MAL200L - 6A - □

MODEL

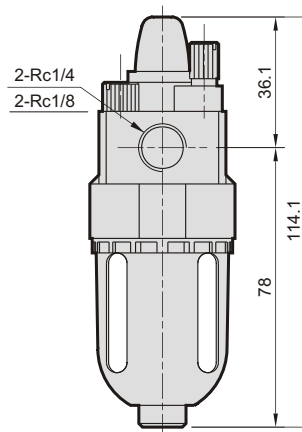
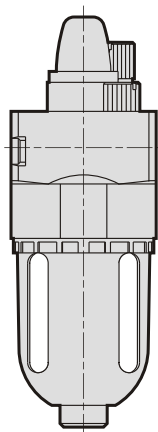
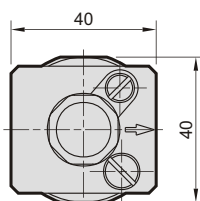
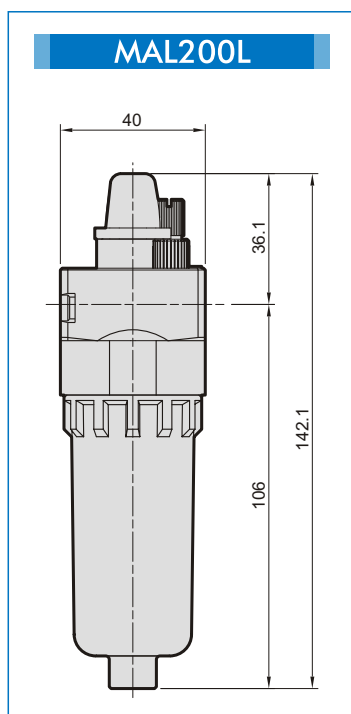
BORE SIZE

6A: 1/8  
8A: 1/4

PORT THREAD

Blank: Rc thread  
G: G thread  
NPT: NPT thread

Blank: standard type  
L: Longer case, no case guard



mindman