

# MAL300 series

AIR UNITS (L.UNIT)



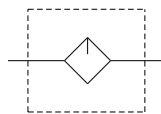
mindman



## Specification

Model	MAL300	
Bore No.	8A	10A
Port size	1/4	3/8
Medium	Air	
Max. operating pressure	1 MPa	
Proof pressure	1.5 MPa	
Ambient temperature	-5~+60℃ (No freezing)	
Lubricating oil capacity	55c.c	
Min. Flow for oil drip	50 ℓ/min	60 ℓ/min
Recommended lubricating oil	Turbine oil ISO-VG32	
Weight	265 g	

## Symbol



## Order example

MAL300 - 10A - □

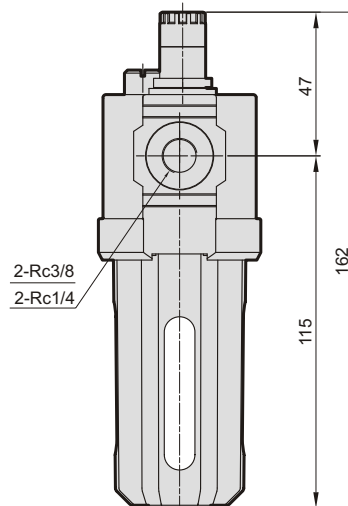
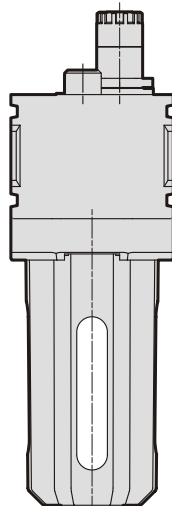
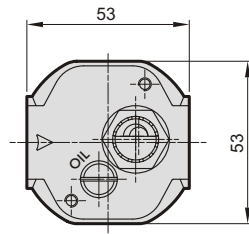
MODEL

BORE SIZE

8A : 1/4  
10A : 3/8

PORT THREAD

Blank: Rc thread  
G: G thread  
NPT: NPT thread



mindman