

MAL302 series

AIR UNITS (Filter)



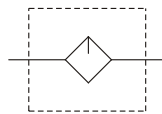
mindman



Specification

Model	MAL302		
Bore No.	8A	10A	15A
Port size	1/4	3/8	1/2
Medium	Air		
Max. operating pressure	1 MPa		
Proof pressure	1.5 MPa		
Ambient temperature	-5~+60°C (No freezing)		
Lubricating oil capacity	65c.c		
Min. flow for oil drip	50 ℓ/min	60 ℓ/min	
Recommended lubricating oil	Turbine oil ISO-VG32		
Weight	345 g		

Symbol



Order example

MAL302 — 8A — B — □

MODEL

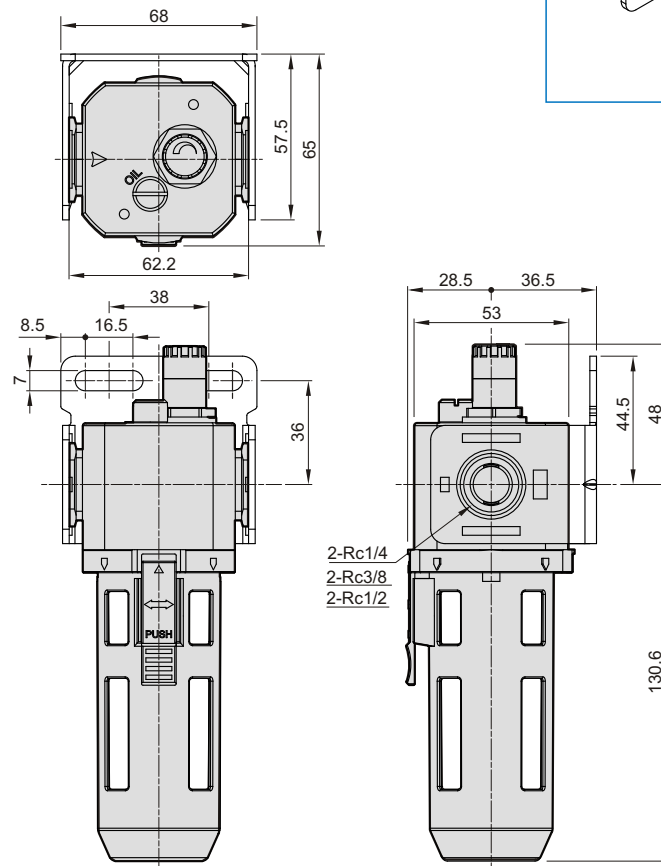
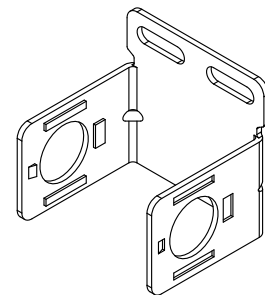
BORE SIZE
8A: 1/4
10A: 3/8
15A: 1/2

B: C type bracket

PORT THREAD
Blank: Rc thread
G: G thread
NPT: NPT thread

Option accessories

C type bracket



mindman