

MAL500 series

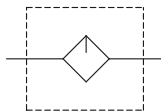
AIR UNITS (L.UNIT)



Mindman



Symbol



Specification

Model	MAL500	
Bore No.	20A	25A
Port size	3/4	1
Medium	Air	
Max. operating pressure	1 MPa	
Proof pressure	1.5 MPa	
Ambient temperature	-5~+60°C (No freezing)	
Lubricating oil capacity	175c.c	
Min. Flow for oil drip	190 ℓ/min	
Recommended lubricating oil	Turbine oil ISO-VG32	
Weight	1100 g	

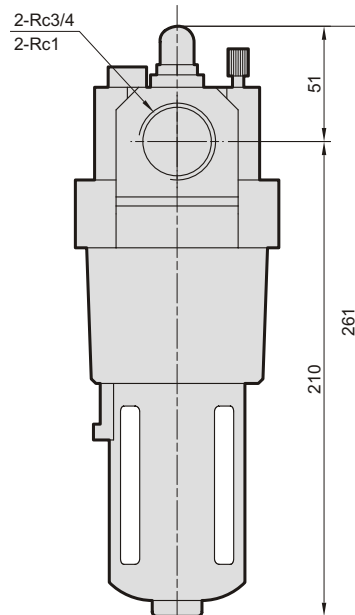
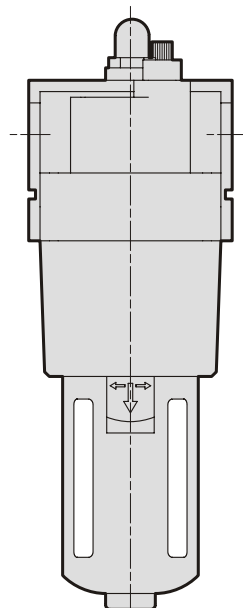
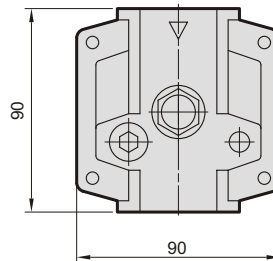
Order example

MAL500 - 20A - □

MODEL

BORE SIZE
20A: 3/4
25A: 1

PORT THREAD
Blank: Rc thread
G: G thread
NPT: NPT thread



Mindman