

# MAR300 series

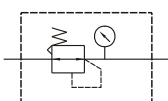
AIR UNITS (R. UNIT)



mindman



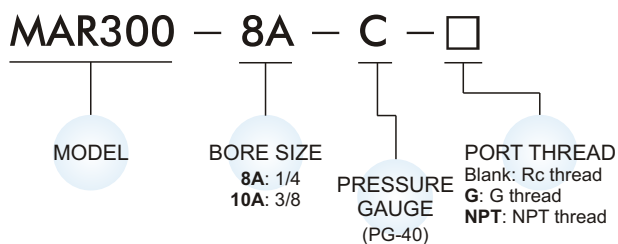
## Symbol



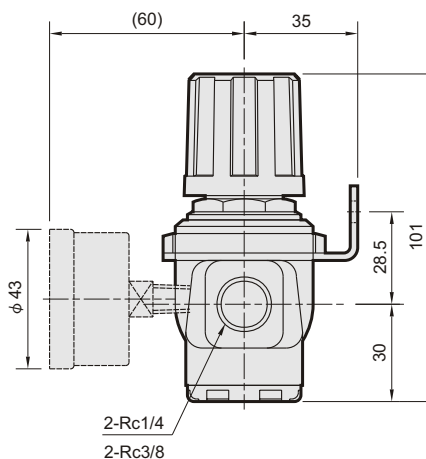
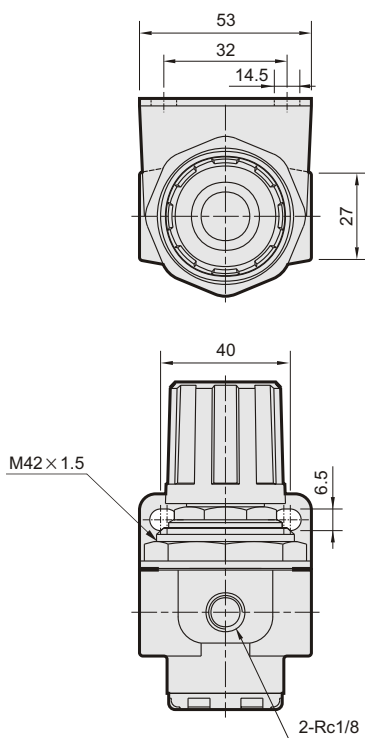
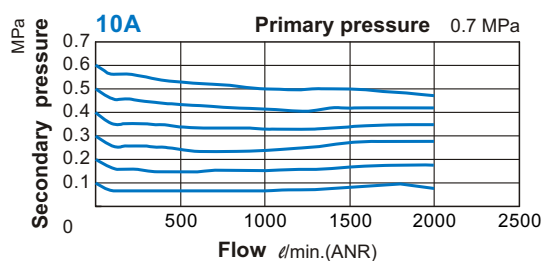
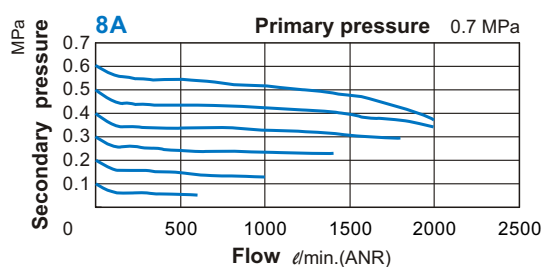
## Specification

Model	MAR300	
Bore No.	8A	10A
Port size	1/4	3/8
Medium	Air	
Max. operating pressure	1 MPa	
Proof pressure	1.5 MPa	
Effective orifice	32 mm <sup>2</sup>	34 mm <sup>2</sup>
Regulated pressure range	0.05~0.85 MPa	
Ambient temperature	-5~+60°C (No freezing)	
Attachment	Bracket	
Option	Pressure gauge (PG-40)	
Weight	250g	

## Order example



## Flow feature



mindman