

# MAR400 series

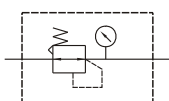
AIR UNITS (R. UNIT)



mindman



## Symbol



## Specification

Model	MAR400		
Bore No.	8A	10A	15A
Port size	1/4	3/8	1/2
Medium	Air		
Max. operating pressure	1 MPa		
Proof pressure	1.5 MPa		
Effective orifice	24mm <sup>2</sup>	35mm <sup>2</sup>	40mm <sup>2</sup>
Regulated pressure range	0.05~0.85 MPa		
Ambient temperature	-5~+60°C (No freezing)		
Attachment	Pressure gauge (PG-50), bracket		
Weight	1000 g		

## Order example

MAR400 — 8A — □

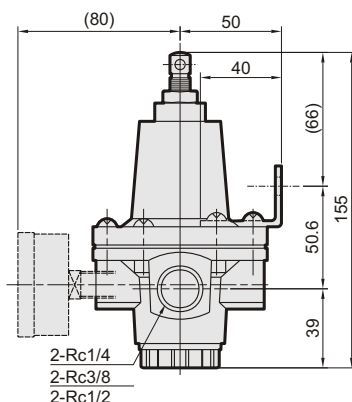
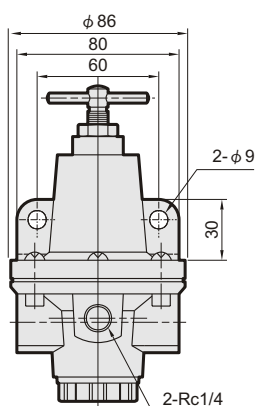
MODEL

BORE SIZE

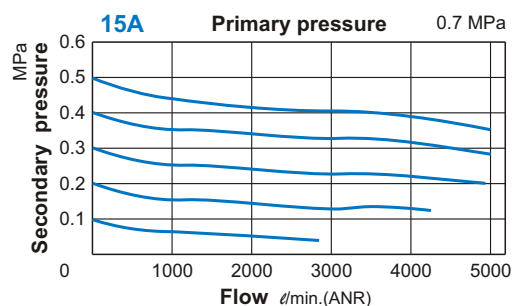
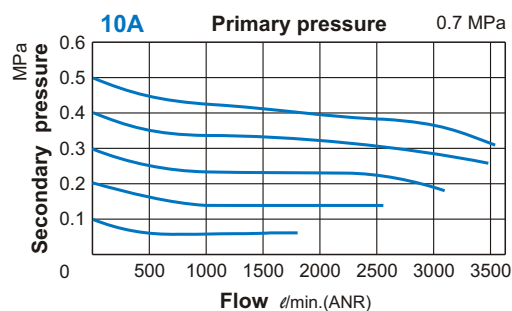
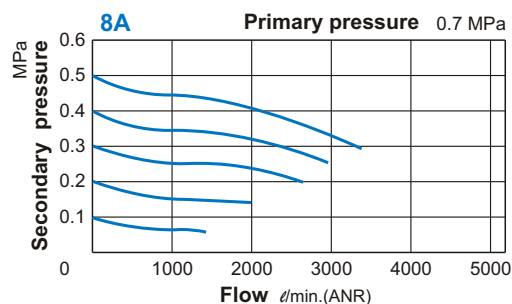
8A: 1/4  
10A: 3/8  
15A: 1/2

PORT THREAD

Blank: Rc thread  
G: G thread  
NPT: NPT thread



## Flow feature



mindman