

# MATFR401 series

AIR UNITS (F.R.UNIT)



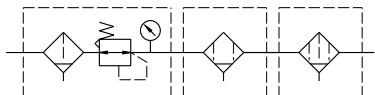
Mindman



## Specification

Model	MATFR401		
Bore No.	8A	10A	15A
Port size	1/4	3/8	1/2
Medium	Air		
Operating pressure range (※)	0.05~1.5 MPa		
Proof pressure	2 MPa		
Regulated pressure range	Standard type: 0.1~0.85 MPa		
	High pressure type: 0.1~1.5 MPa		
Ambient temperature	-5~+60°C (No freezing)		
Filter element	5 μm+0.3 μm+0.01 μm		
Attachment	Pressure gauge (PG-20)		
Weight	2106 g		

## Symbol



- ※1. Standard unit contains semi-auto-drain function when operating pressure below 0.05 MPa.
- ※2. Choose auto-drain FMRF300, the pressure range is 0.15 ~ 1 MPa.

## Order example

MATFR401 - 8A - [ ] - B - [ ]

MODEL

BORE SIZE

- 8A: 1/4
- 10A: 3/8
- 15A: 1/2

Blank: standard type

- C: external pressure gauge (PG-40)
- D: auto drain valve (FMRF300)
- H: high pressure type (Required with external pressure gauge PG-40)

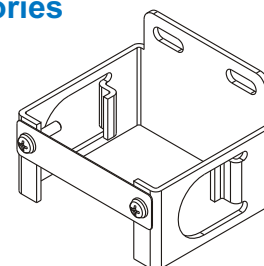
- ※1. (H) High pressure type can not choose with auto drain valve (FMRF300) when operating pressure over than 1 MPa.
- ※2. Refer to page E-14 for the option of digital pressure switch MP41.

B: C type bracket

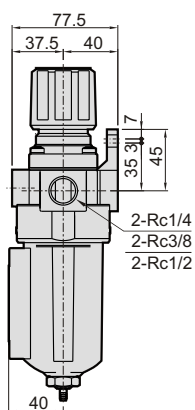
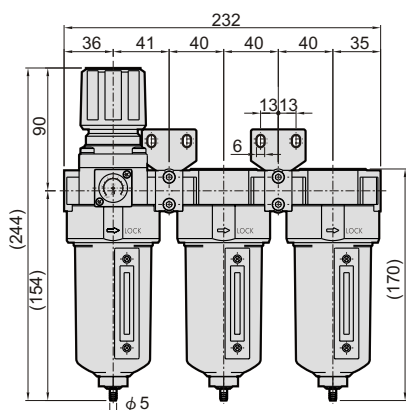
PORT THREAD  
Blank: Rc thread  
G: G thread  
NPT: NPT thread

## Option accessories

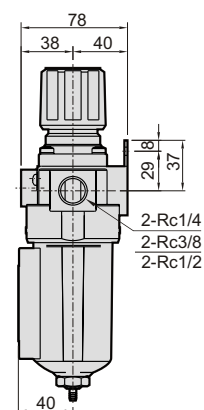
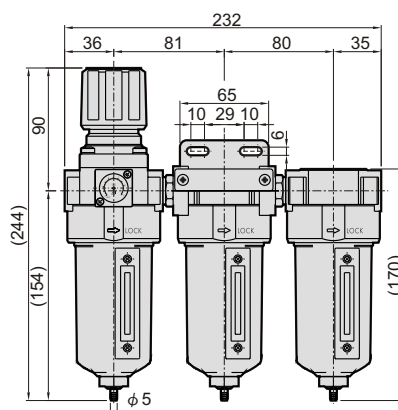
C type bracket



## MATFR401



## MATFR401-B



Mindman