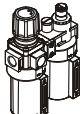
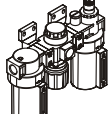

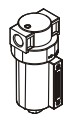

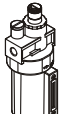


Order example

MACP 302 — 8A — D — 4K — 40u — G

Model		Series	Port size		Drain type		Regulation		Filter element		Port thread	
MACP	FR+L	100	M5	M5	—	Semi automatic or Manual (depending on the series)	—	0.05~1 MPa	0.01u	0.01 μm	—	Rc thread
MACT	F+R+L	200	6A	1/8"	D	Auto drain	1K	0.05~0.1 MPa	0.3u	0.3 μm	G	G thread
MAFR	F+R	200L	8A	1/4"			2K	0.05~0.2 MPa	5u	5 μm	NPT	NPT thread
MAF	Filter	300	10A	3/8"			3K	0.05~0.3 MPa	20u	20 μm		
MAL	Lubricator	300L	15A	1/2"			4K	0.05~0.4 MPa	40u	40 μm		
MAR	Regulator	301	20A	3/4"			15K	0.05~1.5 MPa	50u	50 μm		
		302	25A	1"								
		310	40A	1 1/2"								
		400	50A	2"								
		401										
		402										
		403										
		410										
		500										
		510										
		900										
		901										

Family

Model	MACP	MACT	MAFR	MAF	MAR	MAL
Pictures						
100			●		●	
200	●		●	●	●	●
200L	●		●	●		●
300	●	●	●	●	●	●
300L	●	●	●	●		●
301					●	
302	●	●	●	●	●	●
310	●	●	●	●	●	●
400	●	●	●	●	●	●
401	●	●	●	●	●	●
402	●	●	●	●	●	●
403	●	●	●	●	●	●
410	●	●	●	●	●	●
500	●	●	●	●	●	●
510					●	●
900				●	●	●
901				●	●	

Selector table

Port size									Seriesl	Drain type		
M5	6A	8A	10A	15A	20A	25A	40A	50A		Manual	Semi-automatic	Automatic
●									100		●	
	●	●							200		●	
	●	●							200L		●	
		●	●						300		●	◎
		●	●						300L		●	◎
		●	●						301			
		●	●	●					302		●	◎
		●	●	●					310		●	◎
		●	●	●					400		●	◎
		●	●	●					401		●	◎
			●	●	●				402		●	◎
		●	●	●	●				403		●	◎
			●	●	●				410		●	◎
					●	●			500		●	◎
					●	●			510		●	◎
							●		900	●		◎
								●	901	●		◎

● Standard type ◎ Option

Selector table

Regulation (Adjustable press.)						Seriesl	Filter (Filter element)					
1K	2K	3K	4K	10K	15K		0.01 u	0.3 u	5 u	20 u	40 u	50 u
				●		100			●		◎	
◎	◎	◎	◎	●		200			◎		●	
				●		200L			◎		●	
				●		300			●		◎	
				●		300L	◎	◎	●		◎	
				●		301						
				●		302			●		◎	
				●		310			◎	◎	●	
				●		400			◎		●	
				●	◎	401			◎		●	
				●		402			◎	◎	●	
				●		403			◎		●	
				●		410			◎	◎	●	
				●		500					●	
				●		510						
				●		900						●
				●		901						●

● Standard type ◎ Option

Bowl assembly ※ Order example : **BOWLMAF300D1N** (D1- Auto drain valve , Nylon) ● Standard type ◎ Option

PC	Auto drain valve							Nylon	SeriesI	Applicable model	Order example
	—	D1	D2	D3	D4	D5	D6	D7			
●									100	MAFR100	BOWL – MAFR100
●								◎	200	MAFR200、MAF200	BOWL – MAF200
●								◎		MAL200	BOWL – MAL200
●								◎	200L	MAFR200L、MAF200L	BOWL – MAF200L
●								◎		MAL200L	BOWL – MAL200L
●	◎							◎	300	MAFR300、MAF300	BOWL – MAF300
●								◎		MAL300	BOWL – MAL300
●										MACC300	BOWL – MACC300
●	◎	◎						◎	300L	MAFR300L、MAF300L	BOWL – MAF300L
●								◎		MAL300L	BOWL – MAL300L
●		◎						◎	302	MAFR302、MAF302	BOWL – MAF302
●								◎		MAL302	BOWL – MAL302
●					◎				310	MAFR310、MAF310	BOWL – MAF310
●										MAL310	BOWL – MAL310
●		◎	◎	◎				◎	400	MAFR400、MAF400	BOWL – MAF400
●								◎		MAL400	BOWL – MAL400
●		◎	◎	◎					401	MAFR401、MAF401	BOWL – MAF401
●										MAL401	BOWL – MAL401
●						◎			402	MAFR402、MAF402	BOWL – MAF402
●										MAL402	BOWL – MAL402
●		◎	◎	◎				◎	403	MAFR403、MAF403	BOWL – MAF403
●								◎		MAL403	BOWL – MAL403
●						◎			410	MAFR410、MAF410	BOWL – MAF410
●										MAL410	BOWL – MAL410
●						◎			500	MAFR500、MAF500	BOWL – MAF500
●										MAL500	BOWL – MAL500
●						◎			510	MAFR510、MAF510	BOWL – MAF510
●										MAL510	BOWL – MAL510
●			◎					◎	900	MAF900	BOWL – MAF900
●										MAL900	BOWL – MAL900
●								◎	901	MAF901	BOWL – MAF901

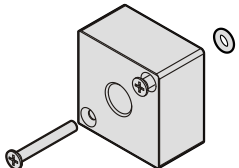
※ Auto drain valve : D1: MADV300, D2: FMRF300, D3: MADV400-WA (Female thread), D4: MADV400-WB (Male thread), D5: YD300, D6: YD401, D7: SN-2636-01

T type module mounting bracket ※ Order example : **T8 – MACP302 – G** ● Standard type ◎ Option

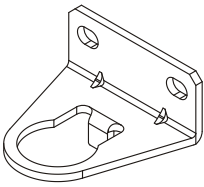
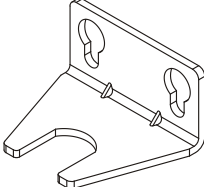
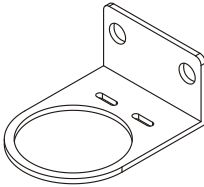
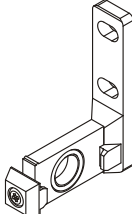
T type module mounting bracket			Port thread			SeriesI	Applicable model	Order example
T8	T10	T15	—	G	NPT			
1/4	3/8	1/2	Rc thread	G thread	NPT thread			
◎	◎		●	◎	◎	300	MACP300、MACT300	T8/T10 – MACP300 – □
◎	◎		●	◎	◎	300L	MACP300L、MCT300L	T8/T10 – MACP300 – □
◎	◎	◎	●	◎	◎	302	MACP302、MACT302	T8/T10/T15 – MACP302 – □
◎	◎	◎	●	◎	◎	401	MACP401、MACT401	T8/T10/T15 – MACP401 – □
◎	◎	◎	●	◎	◎	403	MACP403、MACT403	T8/T10/T15 – MACP403 – □

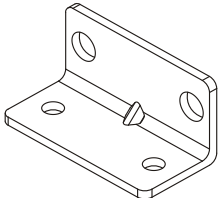
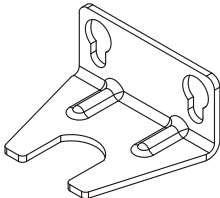
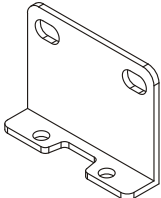
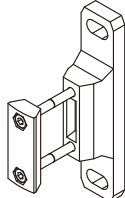
Gauge adapter set ※ Order example : **A – MAR403 – NPT** ● Standard type ◎ Option

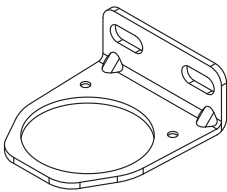
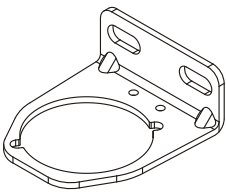
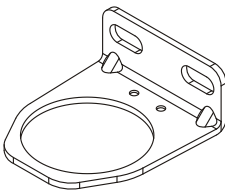
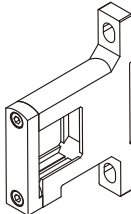
Port thread		SeriesI	Applicable model	Order example
—	NPT			
Rc thread	NPT thread			
●	◎	302	MAR302、MAFR302	A – MAR403 – □ (With 403 shared)
●	◎	401	MAR401、MAFR401	A – MAR401 – □
●	◎	403	MAR403、MAFR403	A – MAR403 – □

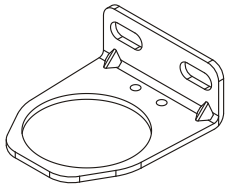
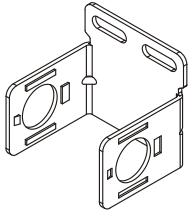
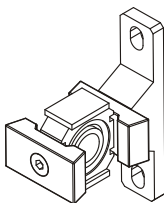
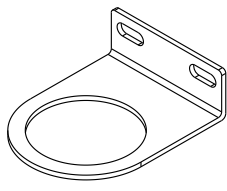


Bracket

Order example	B1-MAR100	B1-MAIR100	B1-MAR200	BL-MACP200
Pictures				
Applicable model	MAFR100、MAF100	MAIR100	MAFR200、MAR200 MACP200	MACP200

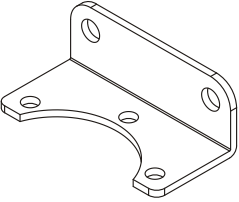
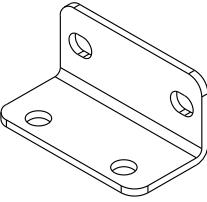
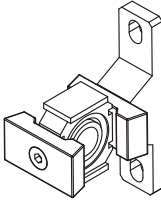
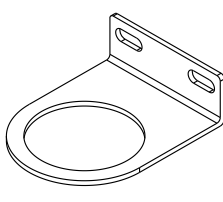
Order example	B1-MAF200 (※)	B1-MAIR200	B1-MACC300	BT-MACP300
Pictures				
Applicable model	MAF200	MAIR200	MACC300	MACP300、MACT300 MACP300L、MACT300L

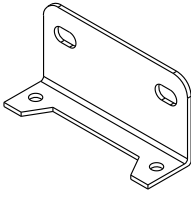
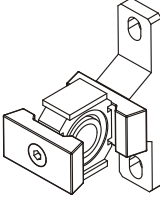
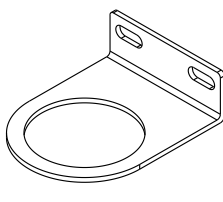
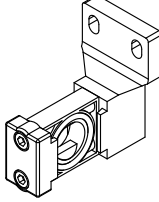
Order example	B1-MAR300	B1-MAF300 (※)	B1-MAR301	BT-MACP302
Pictures				
Applicable model	MAR300	MAL300、MAF300 MAL300L、MAF300L	MAFR300、MAFR300L MAR301	MACP302、MACT302

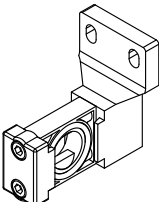
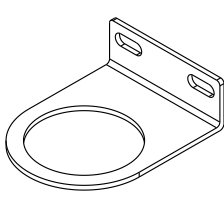
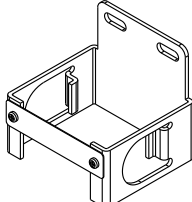
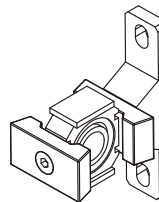
Order example	B1-MAR302	B2-MAF302	BT-MACP310	B1-MAR310
Pictures				
Applicable model	MAFR302、MAR302	MAL302、MAF302	MACP310、MACT310	MAFR310、MAR310

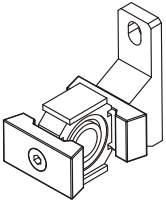
※ Order B1-MAF200, B1-MAF300, please note that the body need have the fixed threaded holes collocating with bracket.

Bracket

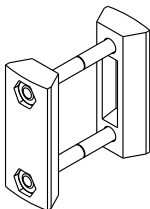
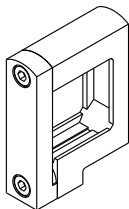
Order example	B1-MAR400	B1-MAF400	BT-MACP402	B1-MAR402
Pictures				
Applicable model	MACP400、MACT400 MAFR400、MAR400	MAF400、MAL400	MACP402、MACT402	MAFR402、MAR402 MAFR500、MAR500

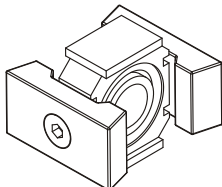
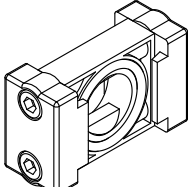
Order example	B1-MAF402	BT-MACP410	B1-MAR410	BL-MACP401
Pictures				
Applicable model	MAF402、MAL402 MAF500、MAL500	MACP410、MACT410	MAFR410、MAR410 MAFR510、MAR510	MACP401、MACT401

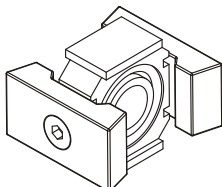
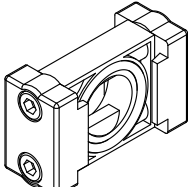
Order example	BL-MACP403	B1-MAR401	B2-MAF401	BT-MACP500
Pictures				
Applicable model	MACP403、MACT403	MAFR401、MAR401 MAFR403、MAR403	MAF401、MAL401 MAF403、MAL403	MACP500、MACT500

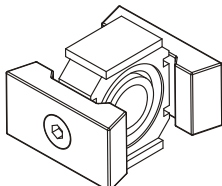
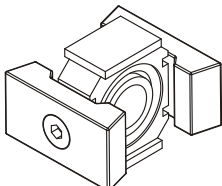
Order example	BL-MACP500
Pictures	
Applicable model	MACP500、MACT500

Joiner set

Order example	BS-MACP300	BS-MACP302
Pictures		
Applicable model	MACP300、MACT300、MACP300L、MACT300L	MACP302、MACT302

Order example	BS-MACP310	BS-MACP401
Pictures		
Applicable model	MACP310、MACT310	MACP401、MACT401

Order example	BS-MACP402	BS-MACP403
Pictures		
Applicable model	MACP402、MACT402	MACP403、MACT403

Order example	BS-MACP410	BS-MACP500
Pictures		
Applicable model	MACP410、MACT410	MACP500、MACT500