



### Specification

Model	PG-20	PG-25	PG-33	PG-40	PG-50
Bore No.	—	—	6A	6A	8A
Port size	—	R1/16	R1/8	R1/8	R1/4
Medium	Air				
Operating pressure range	By order specifications				
Precision	JIS 2.5 Class				
Ambient temperature	-5~+60°C (No freezing)				
Weight	11 g	17 g	34 g	54 g	108 g

※ Please consult us if out of specification

### Order example

**PG - 40 S - 1K - NPT**

MODEL: PG  
GAUGE SIZE: 40  
CASE MATERIAL: S

PRESS. RANGE: 1K  
Blank: 0~1 MPa  
1K: 0~0.1 MPa  
2K: 0~0.2 MPa  
3K: 0~0.3 MPa  
4K: 0~0.4 MPa  
5K: 0~0.5 MPa  
20K: 0~2 MPa

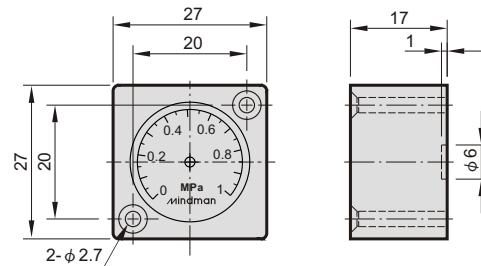
PORT THREAD: NPT  
Blank: R thread  
NPT: NPT thread

CASE MATERIAL

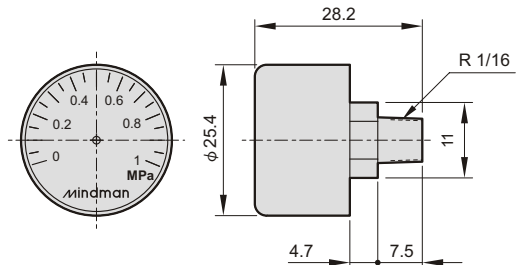
Code Model	W	S	Note
PG-20	○	○	W(White)
PG-25	○		
PG-33		○	
PG-40	○	○	W(Electroplating)
PG-50	○		

※ Blank: Standard type (Black)  
※ S: Stainless steel

Code Model	1K	2K	3K	4K	5K	20K
PG-20	○	×	×	×	×	×
PG-20W	○	×	×	×	×	×
PG-25	○	×	×	×	×	×
PG-33S	○	×	○	×	×	×
PG-40	○	○	○	○	○	○
PG-40W	○	○	○	○	○	○
PG-40S	○	×	×	×	×	×
PG-50	○	×	×	×	×	○

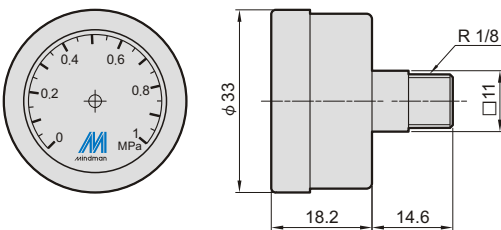


### PG-25

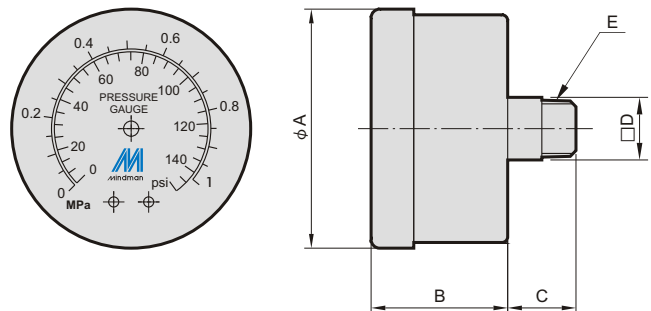


### PG-33S

※ Only for SUS case.



### PG-40 / 50



Code Tube ID	A	B	C	D	E
PG-40	42	23.5	16.5	11	R1/8
PG-50	53	26.5	22.5	14	R1/4