



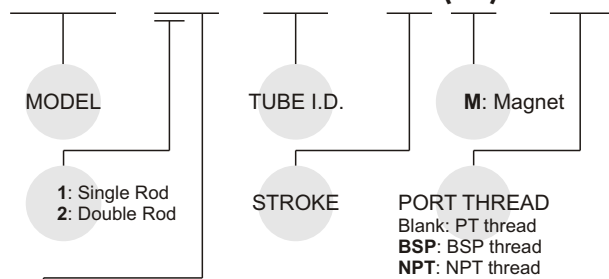
Features:

- Ultra-compact, lightweight, space-saving type.
- Available with a comprehensive selection of bore size (ϕ 12mm~ ϕ 100mm) for the various needs.
- The highly accurate, air-driven push-pull work.

Model	MCJS		
Tube I.D. (mm)	12, 16, 20, 25	32, 40	50, 63, 80, 100
Port size RC(Pt)	M5	PT 1/8	PT 1/4
Medium	Air		
Operating pressure range	0.5-9.9 kgf/cm ²		
Proof pressure	15 kgf/cm ²		
Ambient temperature	-5~+60°C (No freezing)		
Cushion	With rubber cushion pad		
Lubrication	Not required		
Sensor switch	RCB		

Order example:

MCJS - 11 - 40 - 25(M) - BSP



STYLE:

Code	Symbol	Description
1 1		Double acting / Male thread
1 2		Double acting / Female thread
1 3		Single acting / Normally extended Male thread
1 4		Single acting / Normally extended female thread
1 5		Single acting / Normally returned male thread
1 6		Single acting / Normally returned female thread
2 1		Dual rod / Male thread
2 2		Dual rod / Female thread
2 7		Dual rod / Adjustable male thread Please mark "adjustable distance(mm)" at order list
2 8		Dual rod / Adjustable female thread Please mark "adjustable distance(mm)" at order list

Double acting - Table for standard stroke

	Tube I.D.	Stroke (mm)	Max. stroke
Single rod	ϕ 12	5, 10, 15, 20, 25, 30	65
	ϕ 16	5, 10, 15, 20, 25, 30	70
	ϕ 20, 25	5, 10, 15, 20, 25, 30, 35, 40, 45, 50	90
	ϕ 32, 40	5, 10, 15, 20, 25, 30, 35, 40, 45, 50	110
	ϕ 50~100	10, 15, 20, 25, 30, 35, 40, 45, 50	130
Dual rod	ϕ 12	5, 10, 15, 20, 25, 30	65
	ϕ 16	5, 10, 15, 20, 25, 30	70
	ϕ 20, 25	5, 10, 15, 20, 25, 30, 35, 40, 45, 50	90
	ϕ 32, 40	5, 10, 15, 20, 25, 30, 35, 40, 45, 50	110
	ϕ 50~100	10, 15, 20, 25, 30, 35, 40, 45, 50	130

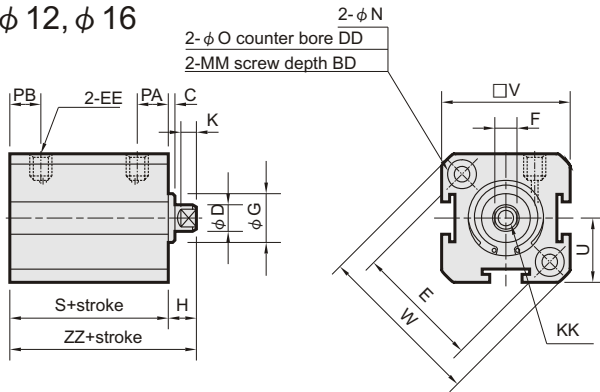
- Stroke out of specification is also available.
- Please consult us if stroke out of specification.

Single acting - Table for standard stroke

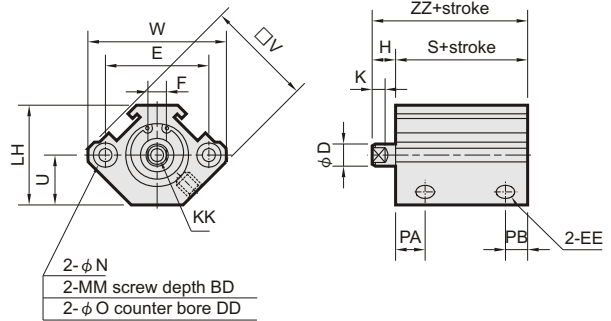
Tube I.D.	Stroke (mm)
ϕ 12, 16, 20, 25, 32, 40	5, 10
ϕ 50	10, 20

MCJS-12

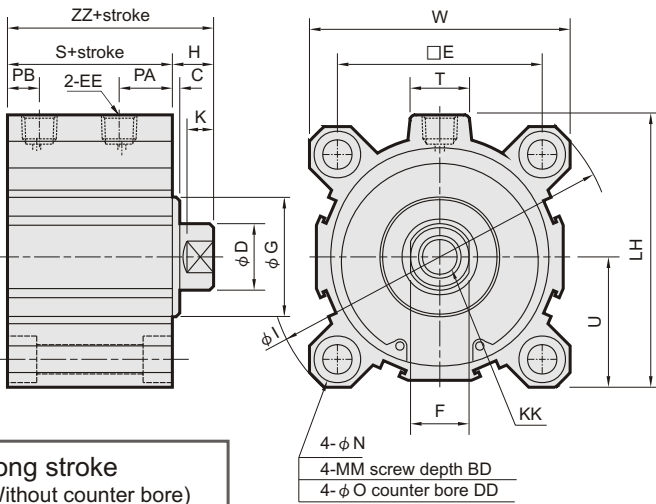
φ 12, φ 16



φ 20, φ 25



φ 32~ φ 100



Long stroke
(Without counter bore)



※ with magnet type: the stroke length must be over 100mm.

MCJS-11

Code Tube I.D.	AM	AQ	B	H1	K1	L	Q
12	9	10.5	8	15.5	3	4	M5×0.8
16	9	10.5	8	15.5	3	4	M5×0.8
20	12	14	13	18.5	3	5	M8×1.25
25	15	17.5	17	22.5	3	6	M10×1.25
32	20.5	23.5	22	28.5	5	8	M14×1.5
40	20.5	23.5	22	28.5	5	8	M14×1.5
50	26	28.5	26	33.5	3	11	M18×1.5
63	26	28.5	26	33.5	3	11	M18×1.5
80	32.5	35.5	32	51	10	13	M22×1.5
100	32.5	35.5	35	55	14	14	M26×1.5

Outer size table

Code Tube I.D.	BD	C	D	DD	E	EE	F	G	H	I	K	KK	LH	MM	N	O	PA	PB	S(※1)	T	U	V	W	ZZ(※1)
12	7	1	6	3.5	22	M5×0.8	5	11 ^{-0.1}	5	-	3	M3×0.5 Screw depth 6	-	M4×0.7	3.5	6	6.5	6.5	22 (17)	-	12.5	25	32	27 (22)
16	7	1.5	6	3.5	28	M5×0.8	5	11 ^{-0.1}	5.5	-	3	M3×0.5 Screw depth 6	-	M4×0.7	3.5	6	7.2	7.2	28.5(18.5)	-	14.5	29	37.5	34 (24)
20	10	-	10	7	36	M5×0.8	8	-	4.5	-	3	M5×0.8 Screw depth 7	30	M6×1.0	5.5	9	8	5.5	29.5(19.5)	-	15	37	47	34 (24)
25	10	-	12	7	40	M5×0.8	10	-	5	-	3	M6×1.0 Screw depth 12	35	M6×1.0	5.5	9	9.5	5.5	32.5(22.5)	-	17.5	40	52	37.5(27.5)
32	10	-	16	7	34	PT 1/8(※2)	14	-	7	60	5	M8×1.25 Screw depth 13	49.5	M6×1.0	5.5	9	10.5	8	33 (23)	18	22.5	-	45	40 (30)
40	10	-	16	7	40	PT 1/8	14	-	7	69	7	M8×1.25 Screw depth 13	57	M6×1.0	5.5	9	11	8	39.5(29.5)	18	26	-	52	46.5(36.5)
50	14	-	20	8	50	PT 1/4	17	-	8	86	6	M10×1.5 Screw depth 15	71	M8×1.25	6.8	10.5	10.5	10.5	40.5(30.5)	22	32	-	64	48.5(38.5)
63	18	-	20	10.5	60	PT 1/4	17	-	8	103	6	M10×1.5 Screw depth 15	84	M10×1.5	9.2	14	14.5	10.5	46 (36)	22	38.5	-	77	54 (44)
80	22	2.5	25	11	77	PT 1/4	22	45 ^{-0.1}	15.5	131	10	M16×2 Screw depth 21	102.4	M12×1.75	11	17	20	12	52 (42)	22	49	-	98	67.5(57.5)
100	22	2.5	30	11	94	PT 1/4	27	50 ^{±0.1}	19.5	156	14	M20×2.5 Screw depth 27	121.5	M12×1.75	11	17.5	22	13	57.5(47.5)	22	58.5	-	117	77 (67)

※1: S()and ZZ()indicate the size of that without magnet ring.

※2: without magnet with stroke=5mm, EE=M5×0.8