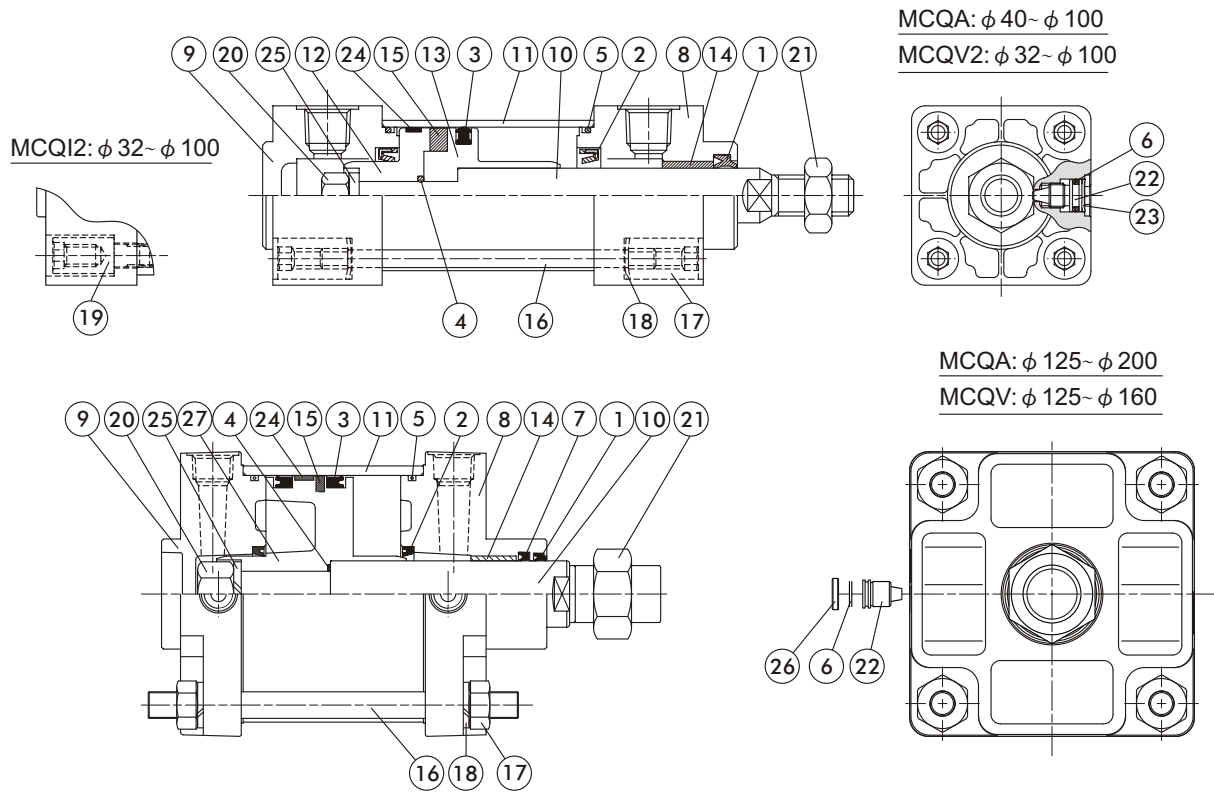


# Inside Structure & Parts List

## STANDARD CYLINDERS



No.	Part name	Material	Q'y	Note	Maintenance-pack inclusion			
					MCQA	MCQV2	MCQV	MCQI2
01	Rod packing	NBR	1		●	●	●	●
02	Cushion packing	NBR	2		● (※)	●	●	●
03	Piston packing	NBR	1	φ 125 ~ × 2	●	●	●	●
04	Piston gasket	NBR	1		●	●	●	●
05	Cover ring	NBR	2		●	●	●	●
06	Needle valve packing	NBR	1		●		●	
07	Rod packing	NBR	2	φ 125 ~	●	●	●	●
08	Rod cover	Aluminum alloy	1		(※) MCQA-Cushion packing only for φ 40~φ 80			
09	Head cover	Aluminum alloy	1					
10	Piston rod	Medium carbon steel	1					
11	Cylinder tube	Aluminum alloy	1					
12	Piston-H	Aluminum alloy	1	~φ 100				
13	Piston-R	Aluminum alloy	1	~φ 100				
14	Rod bush	Copper alloy	1					
15	Magnet ring	Magnet material	1					
16	Tie rod	Carbon steel	4	MCQA/V				
17	Tie rod nut	Carbon steel	8	MCQA/V				
18	Tie rod washer	Carbon steel	8	MCQA/V				
19	Tie screw	Carbon steel	8	MCQI				
20	Piston nut	Carbon steel	1					
21	Rod front nut	Carbon steel	2					
22	Needle valve	Copper alloy	1					
23	Needle valve washer	Spring steel	1					
24	Wear ring	Teflon	1					
25	Piston rod washer	Carbon steel	1	φ 125 ~				
26	Needle valve washer	Aluminum alloy	1	φ 125 ~				
27	Piston	Aluminum alloy	1	φ 125 ~				