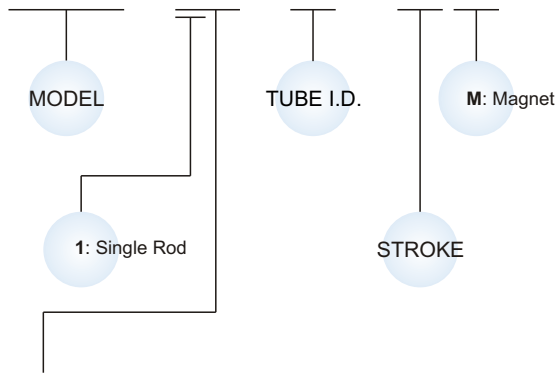


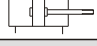
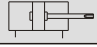


### Order example

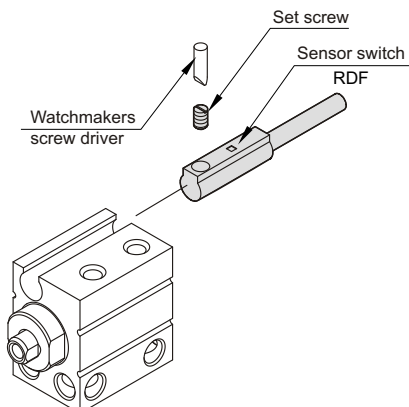
MCFB - 11 - 6 - 10 M



STYLE

Code	Symbol	Description
1 1		Double acting / Male thread
1 2		Double acting / Female thread

### Installation of sensor switch



### Features

- Compact and space saving.
- Flush fitting sensor.

### Specification

Model	MCFB		
Acting type	Double acting		
Tube I.D. (mm)	6	8	10
Port size	M3 × 0.5		
Medium	Air		
Max. operating pressure	0.7 MPa		
Min. operating pressure	0.15 MPa	0.15 MPa	0.1 MPa
Proof pressure	1 MPa		
Ambient temperature	-5~+60°C (No freezing)		
Lubrication	Not required		
Available speed range	50~500 mm/sec		
Sensor switch (※)	RDF, PDFV, RDGV		

- ※ RDGV may only detect short stroke length (4, 6, 8mm).
- ※ RDF, RDGV specification, please refer to page V-13, V-15.

### Table for standard stroke

Tube I.D.	Stroke (mm)
φ 6, 8	4, 6, 8, 10, 15, 20, 25
φ 10	4, 6, 8, 10, 15, 20, 30

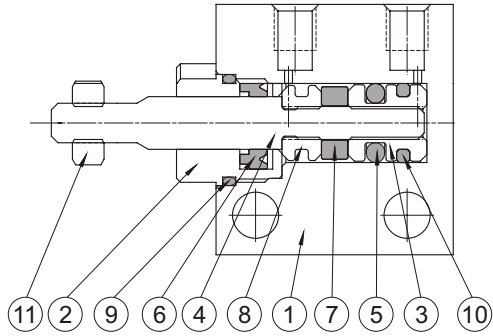
### Cylinder weight

(unit:g)

Stroke (mm)	11 : Male thread					
	φ 6	φ 8	φ 10	φ 6	φ 8	φ 10
	With magnet			Without magnet		
4	16	20	23	15	19	21
6	17	21	24	16	20	22
8	18	23	26	18	22	24
10	19	24	27	19	23	25
15	22	27	31	22	26	29
20	25	31	34	25	29	32
25	28	34	38	28	33	36
30	—	—	41	—	—	39

Stroke (mm)	12 : Female thread					
	φ 6	φ 8	φ 10	φ 6	φ 8	φ 10
	With magnet			Without magnet		
4	15	18	20	14	17	18
6	16	19	21	15	18	19
8	17	20	23	16	19	21
10	18	22	24	18	21	22
15	21	25	28	21	24	26
20	24	28	31	24	27	29
25	27	31	35	27	30	33
30	—	—	38	—	—	36

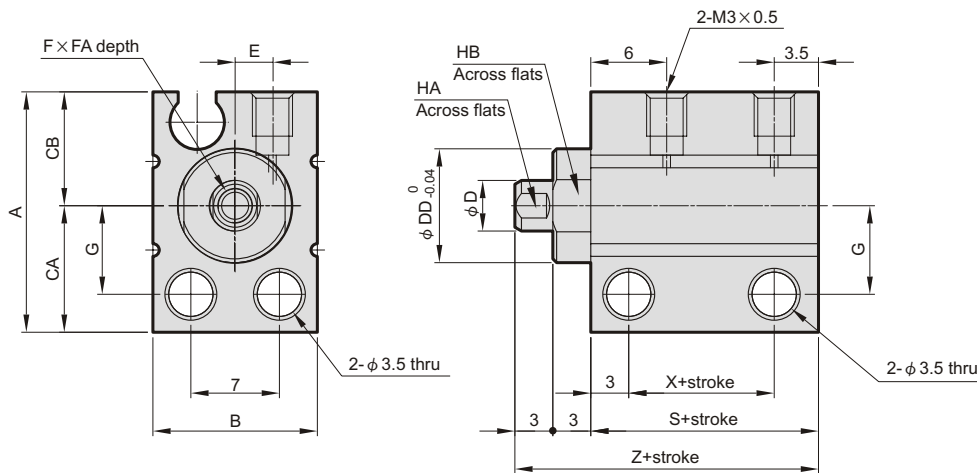
### Inside structure & Parts list



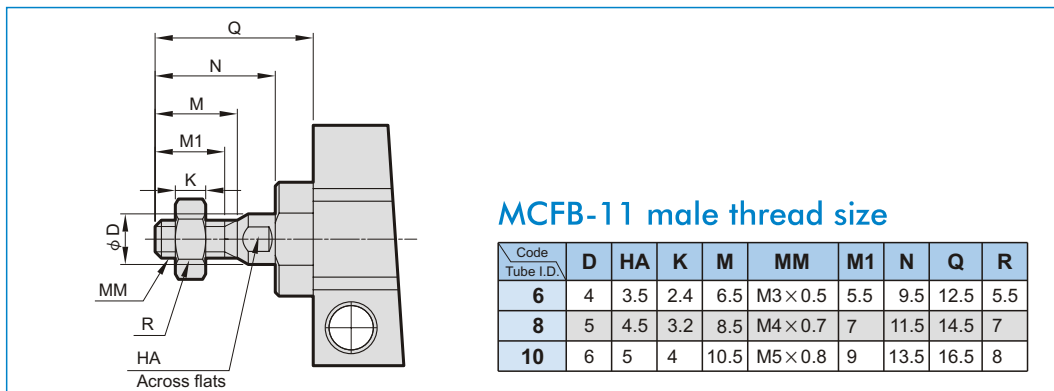
### Material

No.	Part name	Material	Note
1	Body	Aluminum alloy	
2	Rod cover	Copper	
3	Piston	Aluminum alloy	
4	Piston rod	Stainless steel	
5	Piston packing	NBR	
6	Rod packing	NBR	
7	Magnet ring	Magnet material	For with magnet
8	Piston	Aluminum alloy	For with magnet
9	Cover ring	NBR	
10	Wear ring	Teflon	
11	Rod front nut	Copper	For with 11 style

### Single rod / Dimensions



Code Tube I.D.	A	B	CA	CB	D	DD	E	F	FA	G	HA	HB	Without magnet			Magnet		
	X	S	Z	X	S	Z												
6	19	13	10	9	4	9	3	M2.5×0.45	5	7	3.5	8						
8	21	13	11	10	5	11	3	M3×0.5	6	8	4.5	10	6.5	13	19	11.5	18	24
10	22	13.5	11.5	10.5	6	12	3.2	M3×0.5	6	8.5	5	11						



### MCFB-11 male thread size

Code Tube I.D.	D	HA	K	M	MM	M1	N	Q	R
6	4	3.5	2.4	6.5	M3×0.5	5.5	9.5	12.5	5.5
8	5	4.5	3.2	8.5	M4×0.7	7	11.5	14.5	7
10	6	5	4	10.5	M5×0.8	9	13.5	16.5	8