



Order example

MCHA — 20

MODEL

TUBE I.D.

Features

- Available with comprehensive range of bore sizes 12 ~ 32mm.
- Highly accurate air driven device for holding work-piece.
- Magnetic as standard.

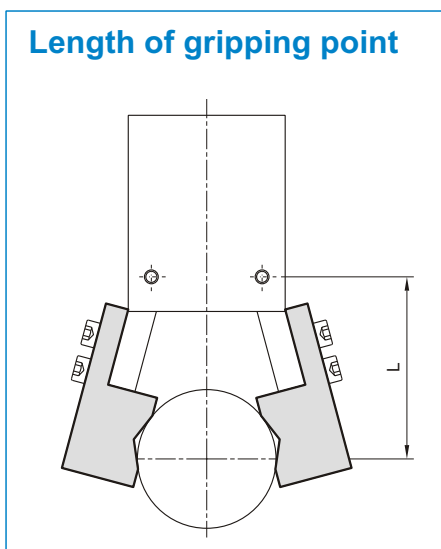
Specification

Model	MCHA					
Acting type	Double acting					
Tube I.D. (mm)	12	16	20	25	32	
Port size	M3×0.5	M5×0.8				
Medium	Air					
Operating pressure range	0.15~0.7 MPa					
Ambient temperature	-5~+60°C (No freezing)					
Max frequency	180 Cycles/min					
Lubrication	Cylinder	Not required				
	Lever	Grease (Actuation at)				
Max arm length (L) ※	30	40	60	70	85	
Clamp / Release angle	-10~+30°					
Theorem moment (M) ※	Closed	40×P	90×P	170×P	340×P	610×P
	Open	50×P	120×P	230×P	440×P	810×P
Clamping force (F) ※	$F = M / L \times 0.85$					
Sensor switch (◎)	RCE / RCE1: Reed switch,					
	RNE: NPN, RPE: PNP					
Weight (g)	53	103	193	327	525	

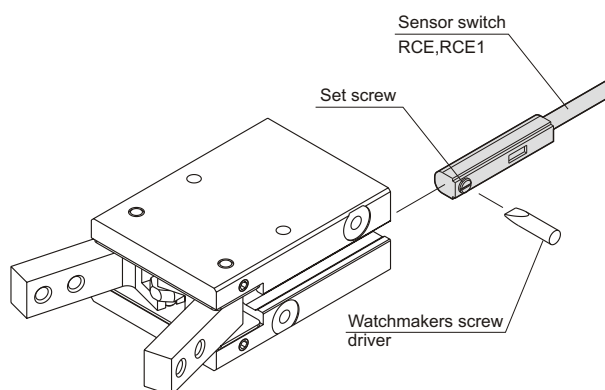
※ L : Arm length (mm), M : Theorem moment (N · cm),
F : Clamping force (N), P : Operating pressure (MPa).

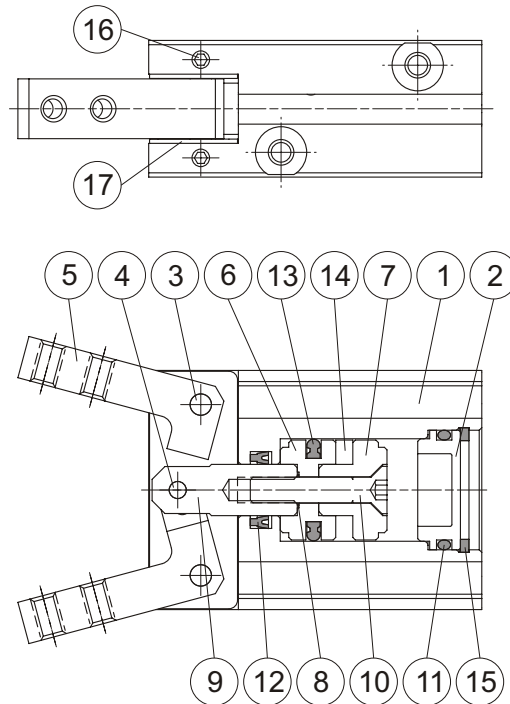
◎ RCE, RCE1 specification, please refer to page V-09.

Length of gripping point



Installation of sensor switch



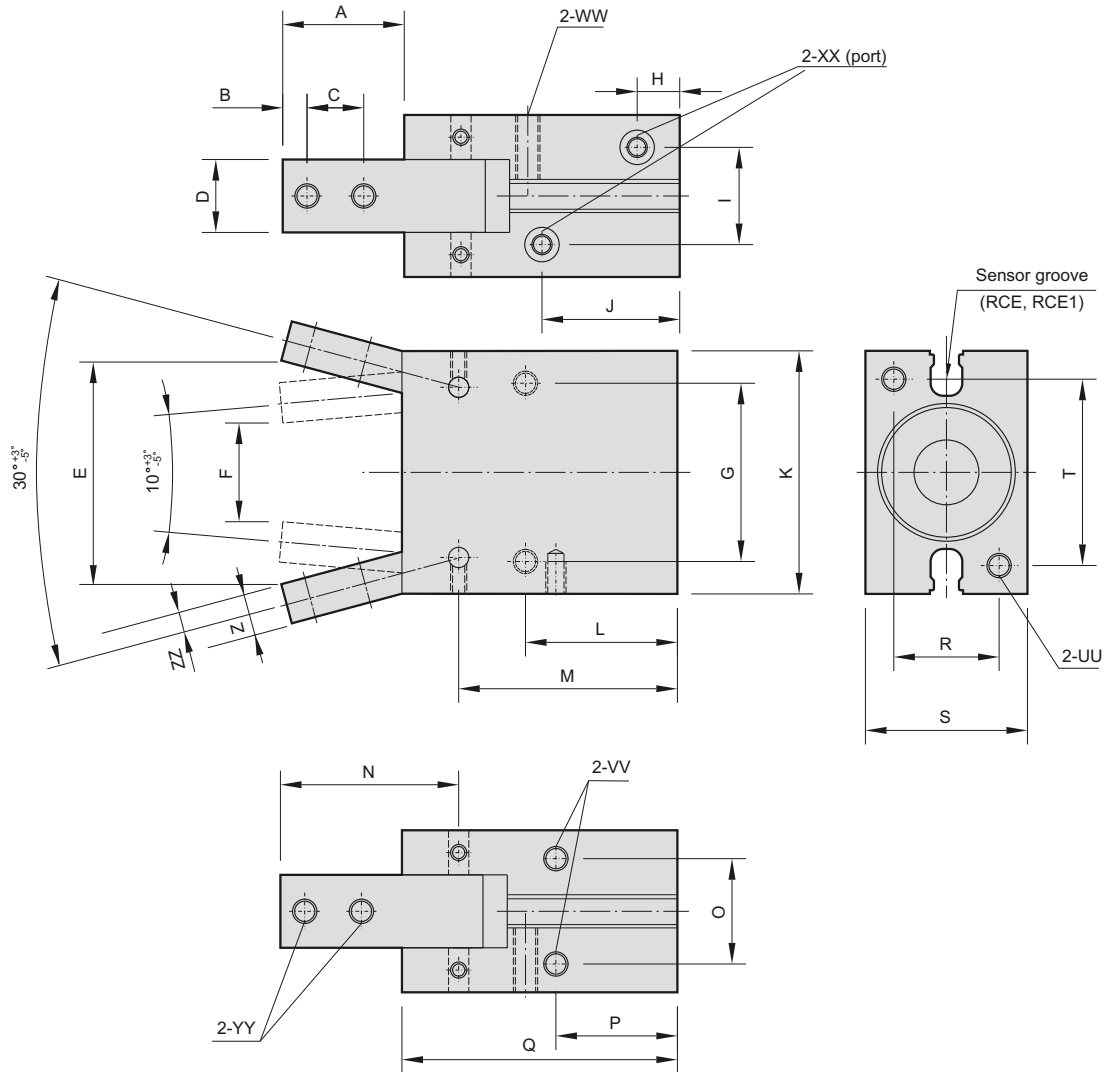


Material

No.	Part name	Material	Q'y	Repair kits (inclusion)
1	Body	Aluminum alloy	1	
2	Head cover	Aluminum alloy	1	
3	Grip rivet	Carbon steel	2	
4	Spindle rivet	Bearing steel	1	
5	Y grip per	Medium carbon steel	2	
6	Piston-R	Aluminum alloy	1	
7	Piston-H	Aluminum alloy	1	
8	Gasket	NBR	1	●
9	Piston rod	Stainless steel	1	
10	Screw	Stainless steel	1	
11	Cover ring	NBR	1	●
12	Rod packing	NBR	1	●
13	Piston packing	NBR	1	●
14	Magnet ring	Magnet material	1	
15	Stop ring	Spring steel	1	
16	Screw	SCM	4	
17	Washer	Stainless steel	2	

Order example of repair kits

Tube I.D.	Repair kits
φ 12	PS-MCHA-12
φ 16	PS-MCHA-16
φ 20	PS-MCHA-20
φ 25	PS-MCHA-25
φ 32	PS-MCHA-32



Code Tube I.D.	A	B	C	D	E	F	G	H	I	J	K	L	M	N	O	P	Q	R	S	T	UU	VV
12	15.4	3	6	7	26.3	9	20	7.5	10.2	23.5	28	20	32.9	21.5	10.2	16	39	10	16	22	M3 × 5depth	M3 × 5depth
16	17.5	3	8	9	31.1	14	24	7.5	12	22	34	22.5	35	25	14	18	42.5	14	22	26	M4 × 7depth	M4 × 7depth
20	22	4	10	12	40.1	18	30	8.0	13	25	45	25	39.5	32.5	16	19	50	16	26	35	M5 × 8depth	M5 × 8depth
25	26	5	12	14	47.9	21	36	8.5	18	28	52	28.5	45.5	38.5	20	21.5	58	20	32	40	M6 × 10depth	M6 × 8depth
32	30	6	14	18	55.1	24	44	10.5	24	34	60	37.5	54	44	26	30	68	26	40	46	M6 × 10depth	M6 × 8depth

Code Tube I.D.	WW	XX	YY	Z	ZZ
12	M3 × 8depth	M3 × 5depth	M3	5	2.5
16	M4 × 11depth	M5 × 5depth	M3	6	3
20	M5 × 12depth	M5 × 5depth	M4	7	3.5
25	M6 × 16depth	M5 × 5depth	M5	9	4
32	M6 × 20depth	M5 × 5depth	M6	10	5