



Features

- Through center hold for workpiece feed.
- Compact, yet rugged design enables high clamping force from the jaws.
- Body manufactured from high tensile, anodised aluminium giving good resistance to corrosion.
- Available with sensors.

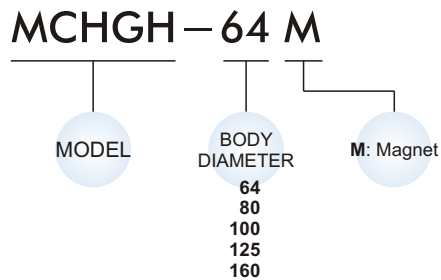
Specification

Model	MCHGH				
Acting type	Double acting				
Body diameter(mm)	64	80	100	125	160
Stroke (mm)	8	12	16	20	26
Medium	Air				
Operating pressure range	0.1~0.6 MPa				
Repeatability	0.05 mm				
Ambient temperature	- 10°C~+ 60°C (No freezing)				
Lubrication	Not required				
Sensor switch (※)	RH: Reed switch, RHN: NPN, RHP: PNP				
Weight (kg)	0.52	0.82	1.3	2.1	3.8

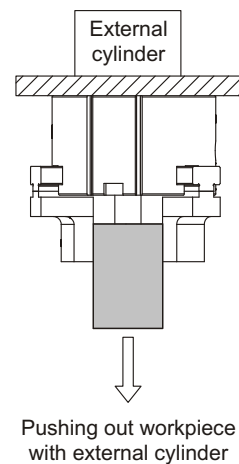
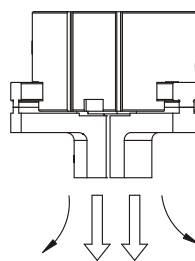
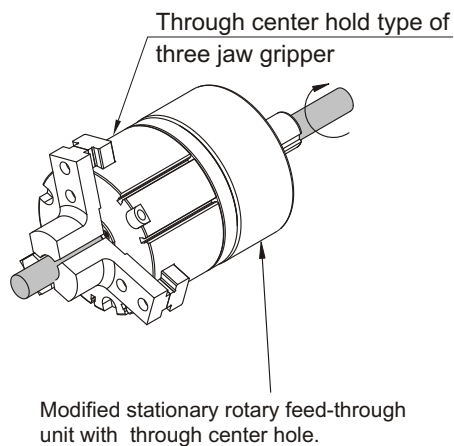
● Maintenance: Re-Lubrication after appr. 1.5 million cycles recommended.

※ RH specification, please refer to page V-16.

Order example

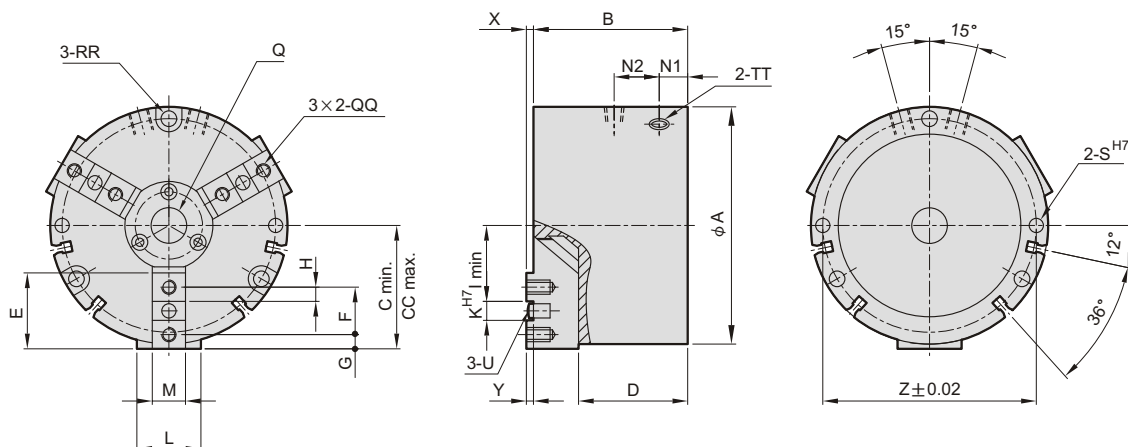


Application examples



THROUGH CENTER HOLD TYPE of THREE JAW GRIPPERS

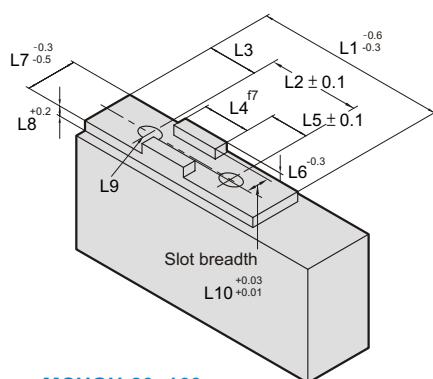
Mindman



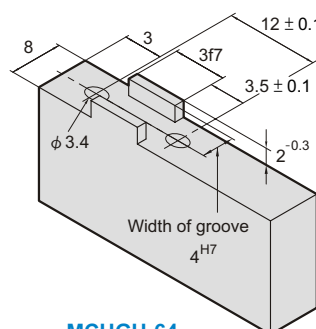
Code Model	A	B	C	CC	D	E	F	G	H	I	K	L	M	N1	N2	Q	QQ
MCHGH-64	64	47.5	33	37	32	18	12	3	3.5	22	5	17	10.2	10	16.5	7.5	M3×0.5 DP 8
MCHGH-80	80	56.5	42	48	39.5	21	13	4	4	29	6	23	12.2	10	22	15	M4×0.7 DP 9
MCHGH-100	100	65	52	60	46	25	16	5	4	36	8	27	14.2	12	24	20	M5×0.8 DP 12
MCHGH-125	125	76	65	75	53.5	32	20	6	6	45	8	30	16.2	13.5	28.5	25	M6×1.0 DP 12
MCHGH-160	160	94	84	97	67	40	24	8.5	8	59	8	40	20.2	17	36.5	36.5	M6×1.0 DP 12

Code Model	P	RR	S	TT	U	X	Y	Z
MCHGH-64	0.5	$\phi 4.5$ thru, $\phi 8$ C/B DP 6 P.C.D 56	$\phi 4$ DP 10	M5	$\phi 4$	1	2.5	56
MCHGH-80	1.2	$\phi 6.6$ thru, $\phi 11$ C/B DP 7 P.C.D 70	$\phi 4$ DP 10	M5	$\phi 5$	2	3	70
MCHGH-100	1.2	$\phi 6.6$ thru, $\phi 11$ C/B DP 7 P.C.D 90	$\phi 5$ DP 12	M5	$\phi 6$	2	3	90
MCHGH-125	1.2	$\phi 9$ thru, $\phi 15$ C/B DP 9 P.C.D 112	$\phi 6$ DP 16	Rc1/8	$\phi 6$	2	3.5	112
MCHGH-160	—	$\phi 9$ thru, $\phi 15$ C/B DP 9 P.C.D 146	$\phi 6$ DP 20	Rc1/8	$\phi 6$	2	4	146

Finger blanks



MCHGH-80~160



MCHGH-64

Code Model	L1	L2	L3	L4	L5	L6	L7	L8	L9	L10
MCHGH-64	—	12	4	5	4.5	2	8	—	$\phi 3.4$	4
MCHGH-80	21	13	5	5	7	2.5	10.2	4.5	$\phi 4.5$	4
MCHGH-100	25	16	6	6	8	3	12.2	5.5	$\phi 5.5$	5
MCHGH-125	32	20	6	8	11	3	14.2	5.5	$\phi 6.6$	6
MCHGH-160	40	24	9.5	8	14.5	3.5	16.2	5.5	$\phi 6.6$	6