



### Order example

## MCHH – 25 M

MODEL

BORE

M: Magnet

φ 20  
φ 25  
φ 40

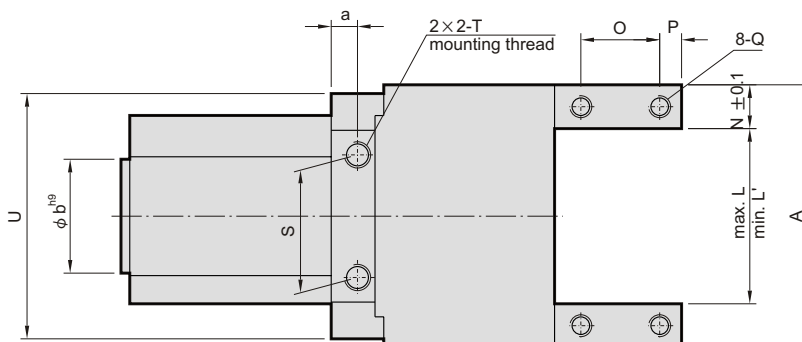
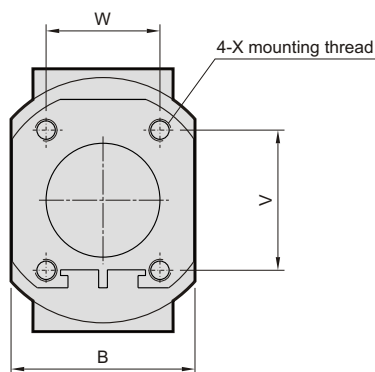
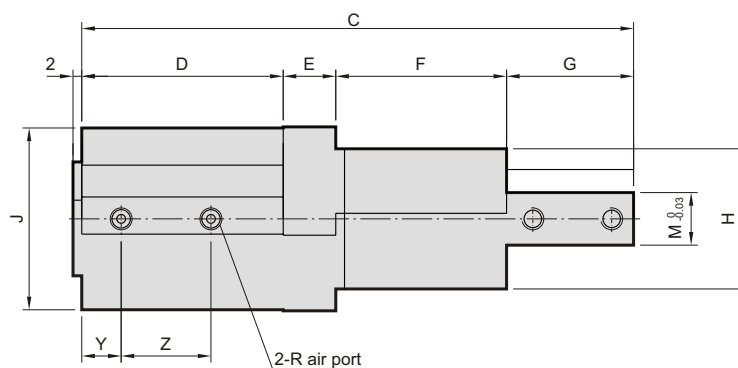
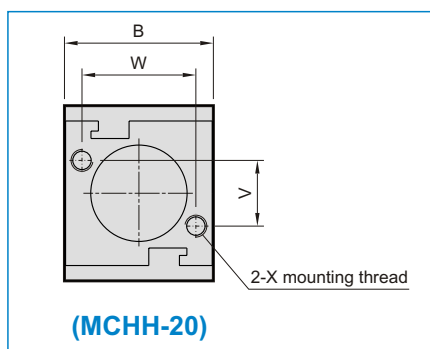
### Features

- Light weight, high force double acting gripper.
- Body manufactured from high tensile, anodised aluminium giving good resistance to corrosion.
- Available with sensors.

### Specification

Model	MCHH-20	MCHH-25	MCHH-40
Acting type	Double acting		
Bore	20	25	40
Stroke	16	26	41
Fluid	Air 0.1~0.6 MPa		
Ambient temperature	- 10~+ 60°C (No freezing)		
Lubrication	Not required		
Sensor switch	PS		
Weight(kg)	0.26	0.57	1.42

- Maintenance: Re-Lubrication after appr. 1.5 million cycles recommended



Code Model	A	a	B	b	C	D	E	F	G	H	J	L	L'	M	N	O	P	Q	R	S	T	U	V	W	X	Y	Z
MCHH-20	40	5	34	22	97	36	10	29	22	26	33.5	24	8	10	8	12	4	M4×0.7	M5×0.8	24	M5×0.8×12dp	φ 40	15	26	M5×0.8×10dp	9	20.5
MCHH-25	60	6	42	26	126	46	12	39	29	32	41.5	40	14	12	10	18	5	M5×0.8	M5×0.8	28	M6×1.0×14dp	φ 56	32	26	M5×0.8×12dp	11	28.5
MCHH-40	92	8	60	42	167	57	15	58	37	38	59	68	27	14	12	20	7	M6×1.0	RC 1/8	42	M8×1.25×14dp	φ 82	44	34	M6×1.0×15dp	12	35