

### Order example

**MCHX-16-30 M**

MODEL

BORE

STROKE

M: Magnet

φ 10, φ 16,  
φ 20, φ 25,  
φ 32,

### Features

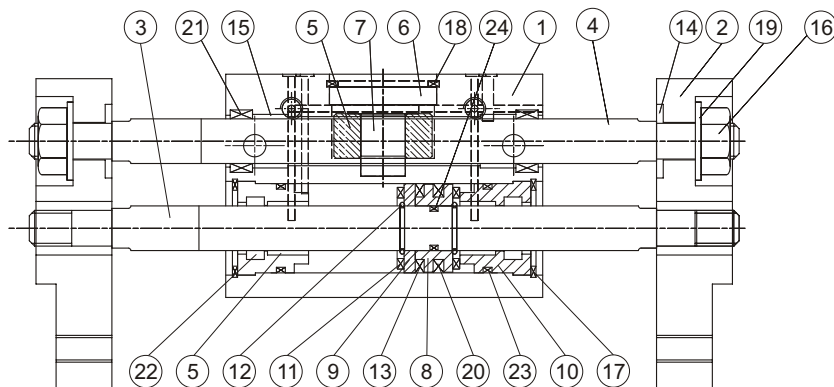
- Rack and pinion construction enable synchronisation of both jaws enabling smooth and consistent gripping force.
- Wide range of strokes available.
- Dust seals protect all internal parts from ingress of dirt.
- Proximity and reed switches can be used with this unit.

### Specification

Model	MCHX				
Acting type	Double acting				
Bore (mm)	10	16	20	25	32
Stroke	20,40,60	30,60,80	40,80,100	50,100,120	70,120,160
Medium	Air				
Operating pressure range	0.1~0.6 MPa				
Ambient temperature	-10~+60°C (No freezing)				
Lubrication	Not required				
Sensor switch <sup>※</sup>	<b>RK:</b> Reed switch, <b>RKN:</b> NPN, <b>RKP:</b> PNP				
Repeatability	±0.1 mm				

● Maintenance: Re-Lubrication after appr. 1.5 million cycles recommended.

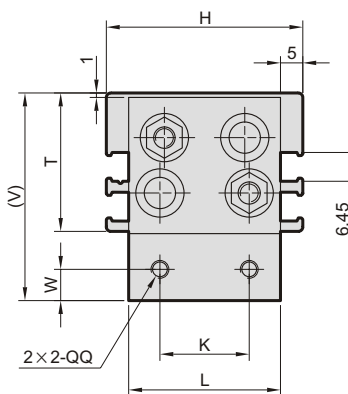
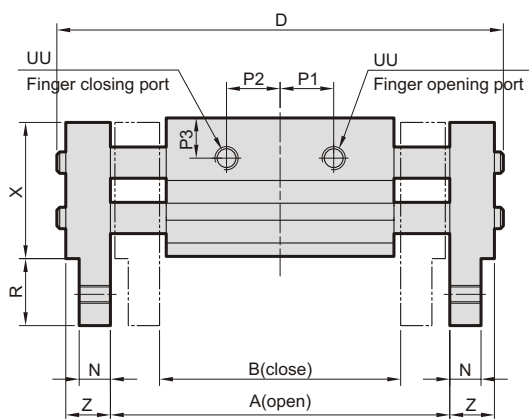
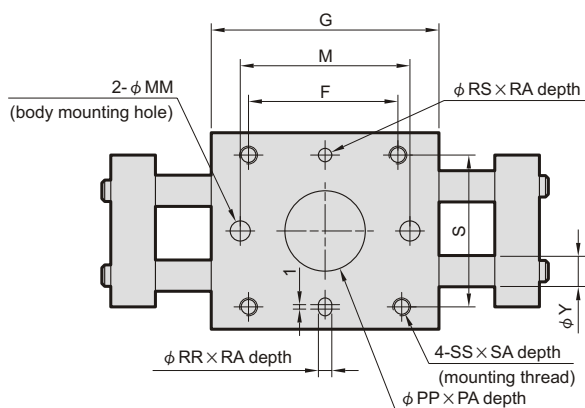
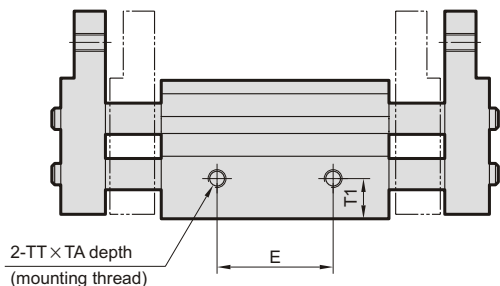
※ RK specification, please refer to page V-17.



### Material

No.	Part name	Material
1	Body	Aluminum alloy
2	Finger	Aluminum alloy
3	Piston rod	Stainless steel
4	Rack	Stainless steel
5	Pinion	Carbon steel
6	Pinion cover	Carbon steel
7	Pinion axis	Stainless steel
8	Piston A	Brass
9	Piston B	Brass
10	Rod cover	Aluminum alloy
11	Damper	Urethane rubber
12	Clip	Stainless steel wire for spring
13	Magnet	Magnet material
14	Washer	Stainless steel
15	Bearing	Oil containing polyacetal with back metal
16	U nut	Carbon steel
17	R-shape snap ring	Carbon steel
18	C-shape snap ring	Carbon steel
19	Conical spring washer	Carbon steel
20	Piston packing	NBR
21	Rod packing	NBR
22	Rod packing	NBR
23	Gasket	NBR
24	Piston gasket	NBR

## WIDE TYPE PARALLEL GRIPPERS



Code Model	Stroke	A	B	D	E	F	G	M	P1	P2
MCHX-10	20	76	56	100	26	36	51	38	12	12
	40	118	78	142	42	52	67	54	19.5	19.5
	60	156	96	180	60	70	85	72	28.5	28.5
MCHX-16	30	98	68	128	28	45	60	40	14.4	14.4
	60	170	110	200	58	75	90	70	29.4	29.4
	80	210	130	240	78	95	110	90	39.4	39.4
MCHX-20	40	122	82	160	38	58	71	54	16.9	16.9
	80	222	142	260	80	100	113	96	34.4	34.4
	100	262	162	300	100	120	133	116	44.4	44.4
MCHX-25	50	150	100	196	48	70	88	66	23	23
	100	282	182	328	102	124	142	120	50	23
	120	320	200	366	120	142	160	138	59	24
MCHX-32	70	220	150	272	60	86	110	—	28	28
	120	318	198	370	108	134	158	—	52	52
	160	402	242	454	152	178	202	—	74	74

Code Model	H	K	L	N	MM	PA	PP	P3	QQ	R	RA	RR	RS	S	SA	SS	T	T1	TA	TT	UU
MCHX-10	44	20	34	7	4.5	1.5	18	9	M4 x 0.7	15	3	3	3	34	8	M4 x 0.7	31	9	5	M4 x 0.7	M5 x 0.8
MCHX-16	55	25	44	9	5.5	1.5	23	10	M5 x 0.8	19	3	3	3	42	10	M5 x 0.8	40	10	7	M5 x 0.8	M5 x 0.8
MCHX-20	65	30	54	12.5	6.6	1.5	24	11	M6 x 1.0	24	4	4	4	52	12	M6 x 1.0	46	11	7	M6 x 1.0	M5 x 0.8
MCHX-25	76	40	64	14	9	1.5	32	20.5	M8 x 1.25	29	4	4	4	62	16	M8 x 1.25	53	12.5	7	M8 x 1.25	M5 x 0.8
MCHX-32	82	50	70	15	-	1.5	35	16	M10 x 1.5	32	8	6	6	64	16	M8 x 1.25	68	22	11	M8 x 1.25	Rc1/8

Code Model	V	W	X	Y	Z
MCHX-10	46.5	7	30.5	6	10
MCHX-16	59	8	39	8	13
MCHX-20	70	10	45	10	17
MCHX-25	81	12	51	12	22
MCHX-32	100	15	67	16	24