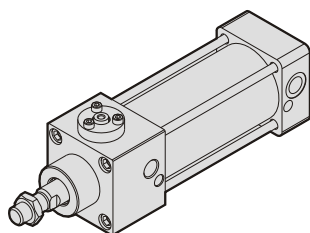


MCQVL series

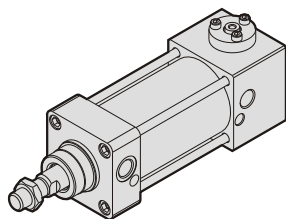
END LOCK CYLINDERS



End lock type



R: Rod cover



H: Head cover

Features

■ Non lubrication:

Special housing and bushing enables self lubrication of piston rod.

■ High quality long service life:

Hard anodised aluminium cylinder tubes offer a high resistance to corrosion and low internal friction.

■ ISO-VDMA Standard specification:

Conforms to ISO-6431 and VDMA 24562 specification enabling worldwide interchangeability.

Specification

Model	MCQVL	
Tube I.D. (mm)	63	80
Medium	Air	
Operating pressure range	0.5~9.9 kgf/cm ²	
Proof pressure	15 kgf/cm ²	
Ambient temperature	- 5~ + 60°C (No freezing)	
Sensor switch	RCA	
Sensor switch holder	HV2	HV3

Table for standard stroke

Tube I.D.	Stroke (mm)
φ 63,80	50,75,100,125,150,175,200,250,300,350,400,450,500,600

- Stroke out of specification is also available.
- Please consult us if stroke out of specification.

Order example:

MCQVL-11-63-100M-R

MODEL

1: Single Rod

TUBE I.D.

STROKE

M: Magnet

END LOCK TYPE

R: Rod cover
H: Head cover

STYLE:

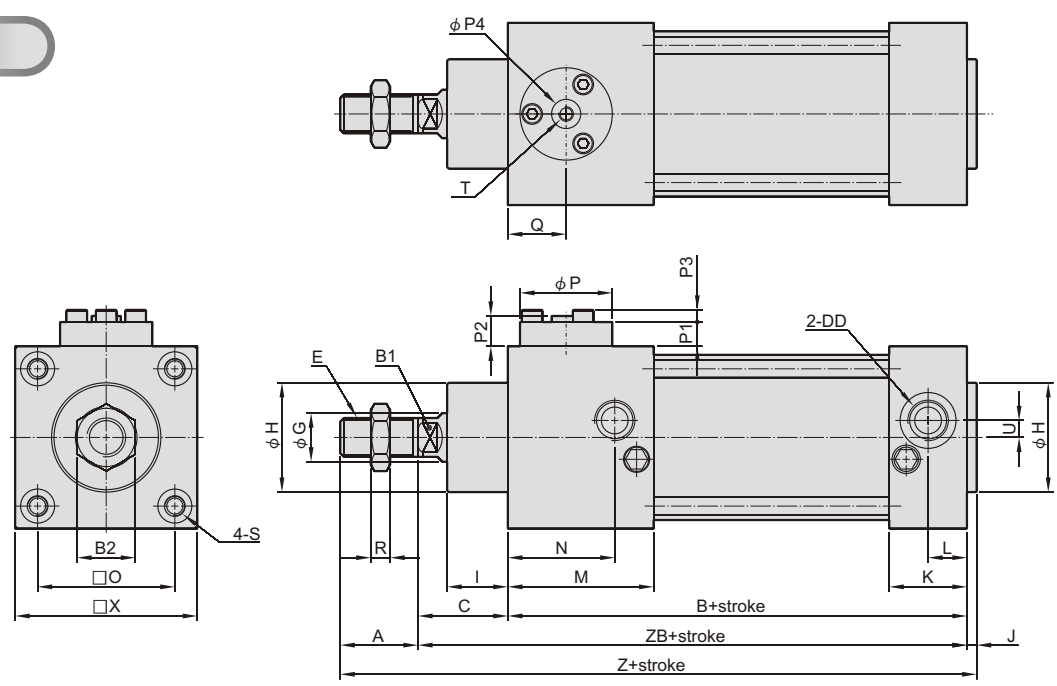
Code	Symbol	Description
1 1		Double acting / Male thread

MCQVL Dimensions $\phi 63, \phi 80$

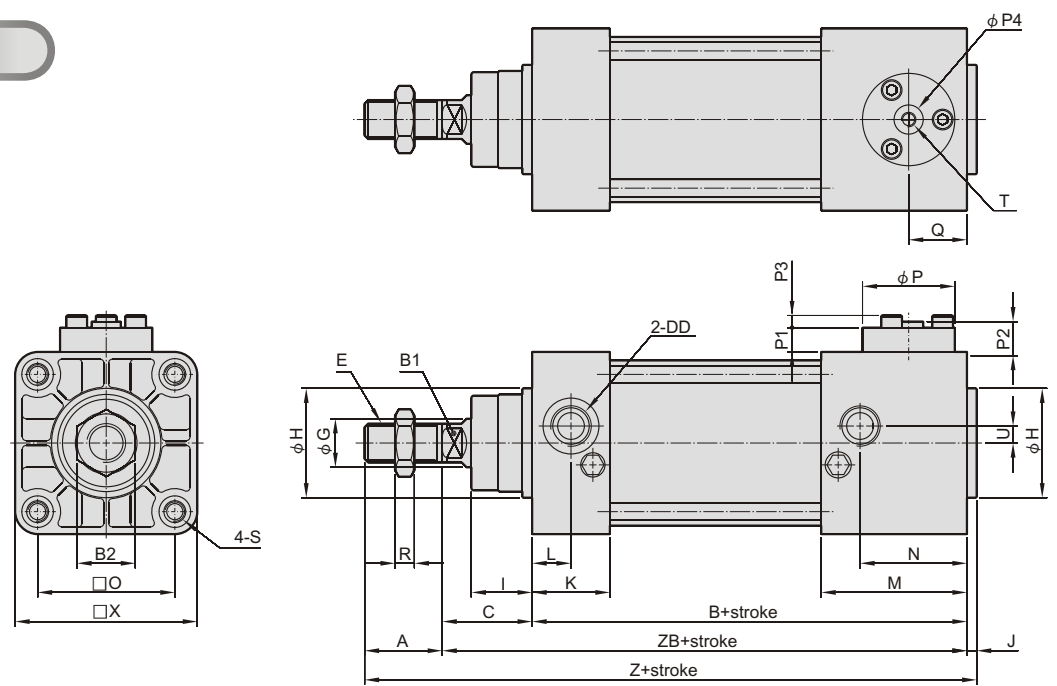
END LOCK CYLINDERS



R



H



Code Tube I.D.	A	B	B1	B2	C	DD	E	G	H	I	J	K	L	M	N	O	P	P1	P2	P3	P4	R	Q
63	32	149	16	24	37	G 3/8	M16 x 1.5	20	45	25	4	32	16	60	44	56.5	38	11	12.5	5	12	8	24
80	40	168	21	30	46	G 3/8	M20 x 1.5	25	45	32	4	38	19	78	44	72	50	12	16	0	14	10	26

Code Tube I.D.	T	S	U	X	Z	ZB
63	M6 x 1.0	M8 x 1.25	7	75	222	186
80	M6 x 1.0	M10 x 1.5	7	95	258	214