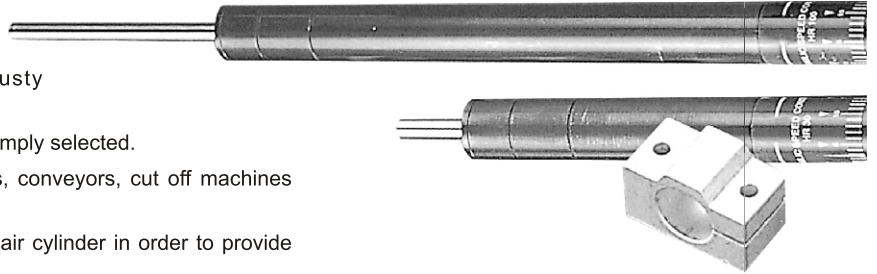
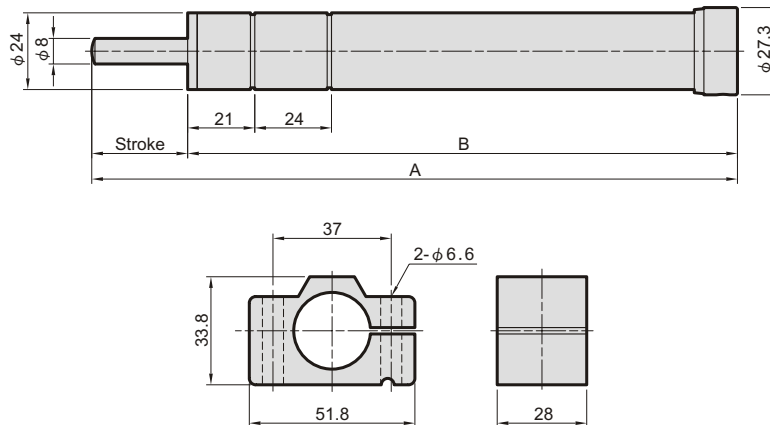


- Used extensively for providing smooth consistent feed speed on machine tools.
- Construction incorporates double seal enabling unit to be used in dirty and dusty environments.
- Fully adjustable speeds can be quickly and simply selected.
- Compact size, ideal for use on robots, drills, conveyors, cut off machines and woodworking equipment.
- Can be used in conjunction with Pneumatic air cylinder in order to provide consistent movement.



Specification

| Order no. | A | B | Max. stroke (mm) | Operating temperature (°C) | Max. load | Weight (g) |
|-----------|-------|-------|------------------|----------------------------|-----------|------------|
| MHR 30 | 202 | 172 | 30 mm | 0-60°C | 15~350kg | 495 g |
| MHR 60 | 282.5 | 222.5 | 60 mm | 0-60°C | 15~350kg | 615 g |
| MHR 80 | 350 | 270 | 80 mm | 0-60°C | 15~350kg | 690 g |
| MHR 100 | 396 | 296 | 100 mm | 0-60°C | 15~350kg | 765 g |



Application example

