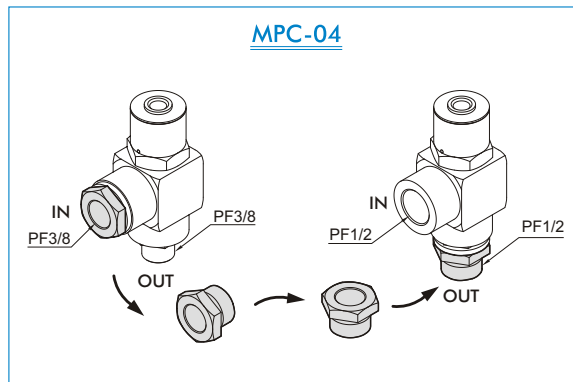
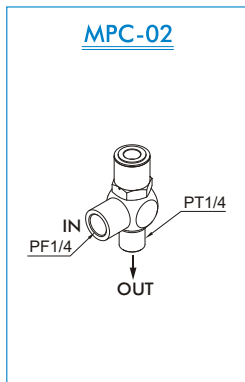


Features

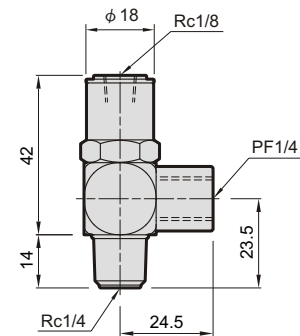
- Maintains pressure in event of air failure.
- Prevents leakage in an air system.
- Enable accurate holding of work-piece.

Specification

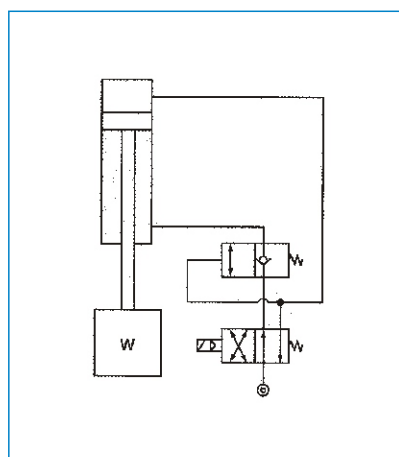
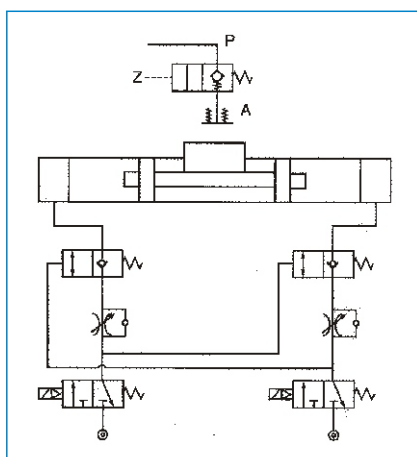
Order no.	Pressure (MPa)	Temperature (°C)	Orifice (mm ²)	Operation time (times/min)	Weight (g)
MPC-02	0.05-0.95	-10~70°C	24	60	100
MPC-04	0.05-0.95	-10~70°C	79	40	340



MPC-02



Application example



MPC-04

