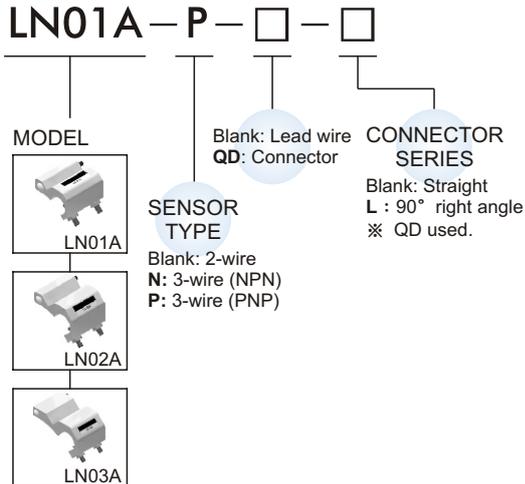




### Specification

| Model                    | LN0*A                      | LN0*A-N  | LN0*A-P             |
|--------------------------|----------------------------|--|---------------------|
| Wiring method            | 2-Wire type                | 3-Wire type                                      |                     |
| Contracts                | Normal open                | Solid state output,N.O                           |                     |
| Switch type              | Reed switch                | NPN Current sinking                              | PNP Current sinking |
| Voltage range            | 5~240V DC/AC               | 10~30V DC  |                     |
| Current range            | 100mA max.                 | 200mA max.                                       |                     |
| Switch range             | 10W max.                   | 6W max.  |                     |
| Current consumption      | —                          | OFF:7mA(24V) ON:20mA(24V) max.                   |                     |
| Voltage drop             | 3V max.                    | 0.5V@200mA max.                                  |                     |
| Response time            | < 2ms                      | < 1ms  |                     |
| Lead wire                | 3.3, 2C, PVC               | 3.3, 3C, PVC                                     |                     |
| Temperature              | - 10°C~+70°C (No freezing) |  |                     |
| Enclosure classification | IP 67                      |  |                     |
| Indicator                | Red LED                    |  | Green LED           |
| Protection circuit       | None                       | Power Source Reverse polarity; Surge suppression |                     |
| Symbol                   |                            |  |                     |

### Order example

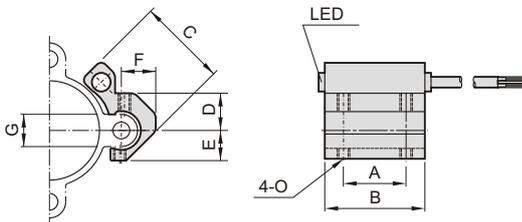


※ Caution for safety please refer to the 2-03-04 page.

### Assembling style

| Cylinder type  | MRT*  |    |       |    |       |     |
|----------------|-------|----|-------|----|-------|-----|
|                | LN01A |    | LN02A |    | LN03A |     |
| Order          | 32    | 40 | 50    | 63 | 80    | 100 |
| Tube I.D.      |       |    |       |    |       |     |
| Mounting clamp |       |    |       |    |       |     |

### Dimension

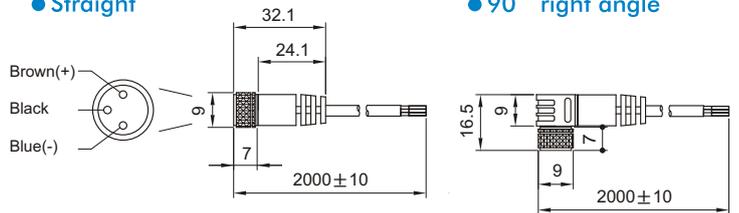


| Model | A  | B  | C    | D  | E    | F  | G    | O  |
|-------|----|----|------|----|------|----|------|----|
| LN01A | 20 | 32 | 28.5 | 12 | 9.8  | 11 | 10.5 | M4 |
| LN02A | 20 | 32 | 37.5 | 15 | 13.5 | 12 | 13.5 | M4 |
| LN03A | 20 | 32 | 56   | 18 | 15   | 14 | 17   | M4 |

### QD connector series

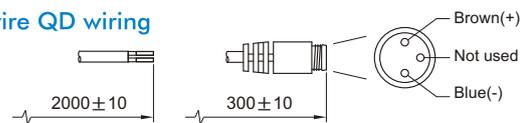
● Straight

● 90° right angle



### Wiring of the QD

● 2 wire QD wiring



● 3 wire QD wiring

