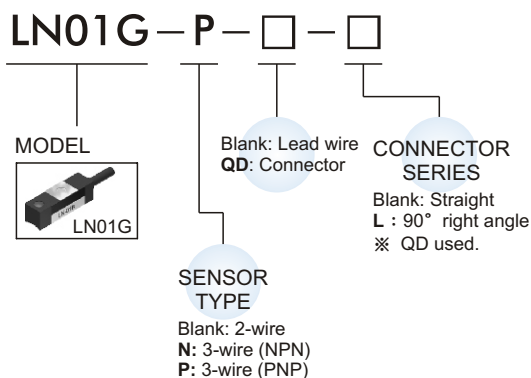




### Specification

Model	LN01G	LN01G-N	LN01G-P
Wiring method	2-Wire type	3-Wire type	
Contracts	Normal open	Solid state output,N.O	
Switch type	Reed switch	NPN Current sinking	PNP Current sinking
Voltage range	5~240V DC/AC	5~30V DC	
Current range	100mA max.	200mA max.	
Switch range	10W max.	6W max.	
Current consumption	—	OFF:7mA(24V) ON:20mA(24V) max.	
Voltage drop	3V max.	0.5V@200mA max.	
Response time	< 2ms	< 1ms	
Lead wire	3.3, 2C, PVC	3.3, 3C, PVC	
Temperature	- 10°C~+ 70°C (No freezing)		
Enclosure classification	IP 67		
Indicator	Red LED		Green LED
Protection circuit	None	Power Source Reverse polarity; Surge suppression	
Symbol			

### Order example

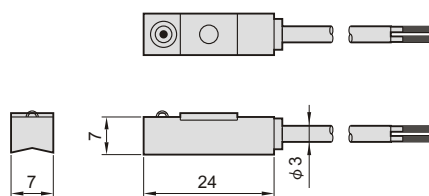


※ Caution for safety please refer to the 2-03-04 page.

### Assembling style

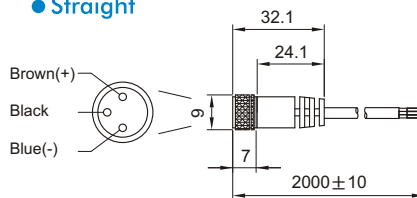
Cylinder type	MDO*	
Order	LN01G	
Tube I.D.	20	32
Mounting clamp		

### Dimension

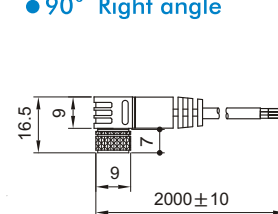


### QD connector series

#### ● Straight

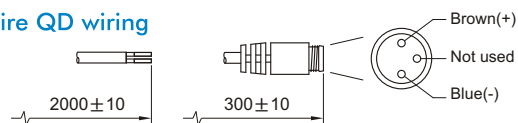


#### ● 90° Right angle



### Wiring of the QD

#### ● 2 wire QD wiring



#### ● 3 wire QD wiring

