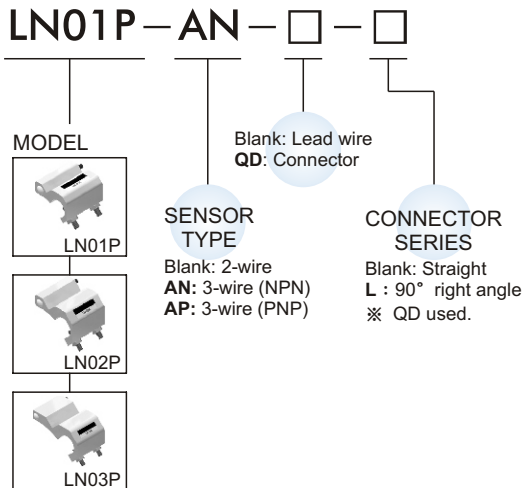




Specification

Model	LN0*P	LN0*P-AN	LN0*P-AP
Wiring method	2-Wire type	3-Wire type	
Contracts	Solid state output, N.O		
Switch type	Reed switch	NPN Current sinking	PNP Current sinking
Voltage range	10~220V DC/AC	5~30V DC	
Current range	100mA max.	200mA max.	
Switch range	10W max.	6W max.	
Current consumption	—	OFF:7mA(24V) ON:20mA(24V) max.	
Voltage drop	3V max.	0.5V@200mA max.	
Response time	< 2ms	< 1ms	
Lead wire	3.3, 2C, PVC	3.3, 3C, PVC	
Temperature	- 10°C~+ 70°C (No freezing)		
Enclosure classification	IP 67		
Indicator	Red LED		Green LED
Protection circuit	None	Power Source Reverse polarity; Surge suppression	
Symbol			

Order example

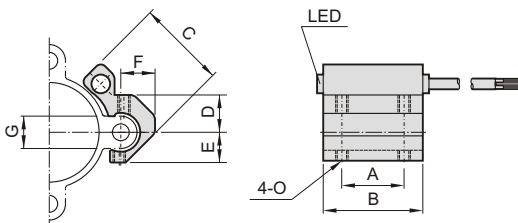


※ Caution for safety please refer to the 2-03~04 page.

Assembling style

Cylinder type	MDM*			
	LN01P	LN02P	LN03P	LN03P
Order	40	50	63	100
Tube I.D.	40	50	63	80
Mounting clamp				

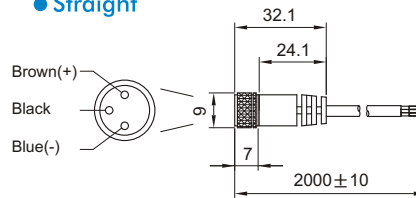
Dimension



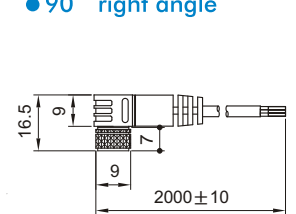
Model	A	B	C	D	E	F	G	O
LN01P	20	32	28.5	12	9.8	11	10.5	M4
LN02P	20	32	37.5	15	13.5	12	13.5	M4
LN03P	20	32	56	18	15	14	17	M4

QD connector series

● Straight

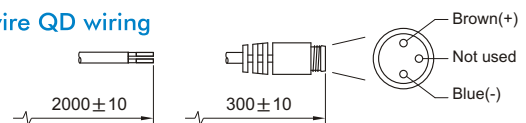


● 90° right angle



Wiring of the QD

● 2 wire QD wiring



● 3 wire QD wiring

