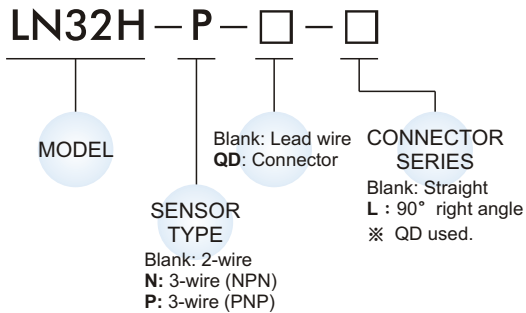




Specification

Model	LN32H	LN32H-N	LN32H-P
Wiring method	2-Wire type	3-Wire type	
Contracts	Normal open	Solid state output, N.O	
Switch type	Reed switch	NPN Current sinking	PNP Current sinking
Voltage range	5~240V DC/AC	10~30V DC	
Current range	100mA max.	200mA max.	
Switch range	10W max.	3W max.	
Current consumption	—	OFF:7mA(24V) ON:17mA(24V) max.	
Voltage drop	3.5V max.	2.0V max.	
Response time	< 2ms	< 1ms	
Lead wire	3.3, 2C, PVC	3.3, 3C, PVC	
Temperature	- 10°C~+70°C (No freezing)		
Enclosure classification	IP 67		
Indicator	Red LED		Yellow LED
Protection circuit	None	Power Source Reverse polarity; Surge suppression	
Symbol			

Order example

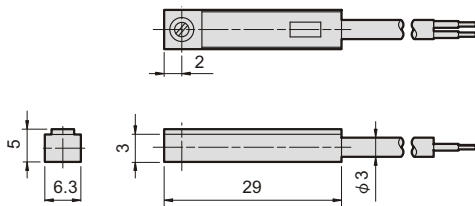


※ Caution for safety please refer to the 2-03~04 page.

Assembling style

Cylinder type	MHCB-M				
Order	LN32H				
Tube I.D.	25	32	40	50	63
Mounting clamp					

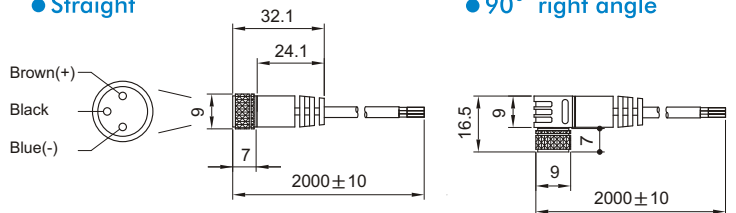
Dimension



QD connector series

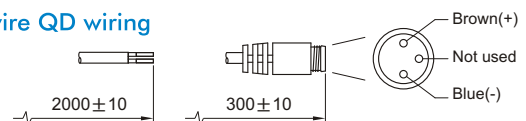
● Straight

● 90° right angle



Wiring of the QD

● 2 wire QD wiring



● 3 wire QD wiring

