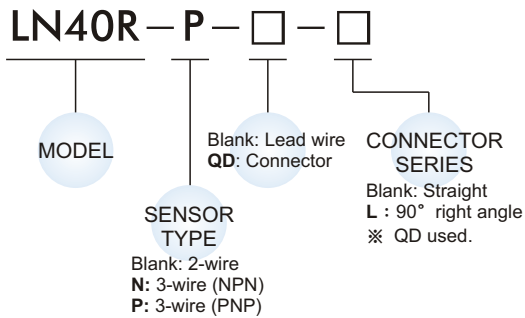




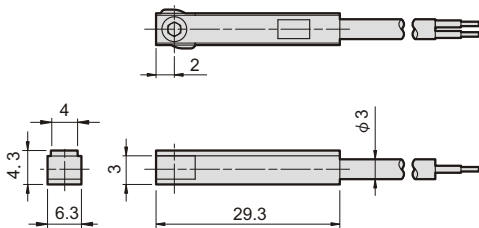
Specification

Model	LN40R	LN40R-N	LN40R-P
Wiring method	2-Wire type	3-Wire type	
Contracts	Normal open	Solid state output, N.O	
Switch type	Reed switch	NPN Current sinking	PNP Current sinking
Voltage range	5~120V DC/AC	5~30V DC	
Current range	100mA max.	200mA max.	
Switch range	10W max.	3W max.	
Current consumption	—	OFF:7mA(24V) ON:17mA(24V) max.	
Voltage drop	2.5V max.	1.5V@100mA max.	
Response time	< 2ms	< 1ms	
Lead wire	3, 2C, PVC	3, 3C, PVC	
Temperature	- 10°C ~ +70°C (No freezing)		
Enclosure classification	IP 67		
Indicator	Red LED		Yellow LED
Protection circuit	None	Power Source Reverse polarity; Surge suppression	
Symbol			

Order example



Dimension



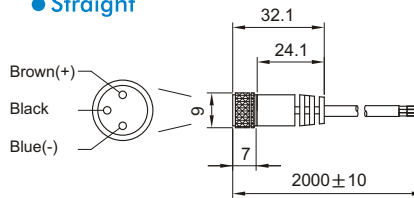
※ Caution for safety please refer to the 2-03-04 page.

Assembling style

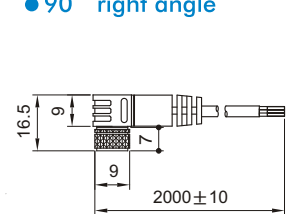
Cylinder type	MTA*				
Order	LN40R				
Tube I.D.	25	32	40	50	63
Mounting clamp					

QD connector series

● Straight

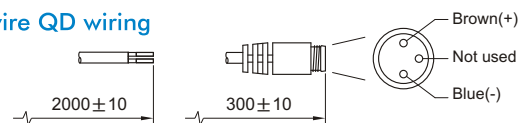


● 90° right angle



Wiring of the QD

● 2 wire QD wiring



● 3 wire QD wiring

