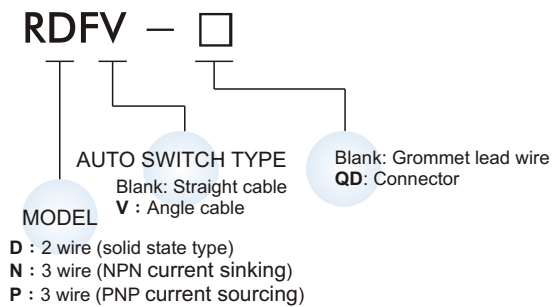


### Order example

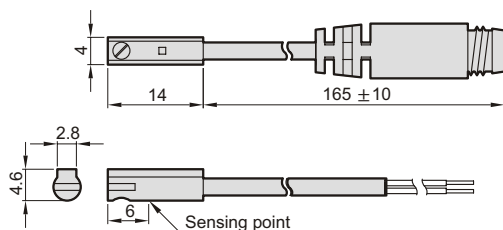


### Specification

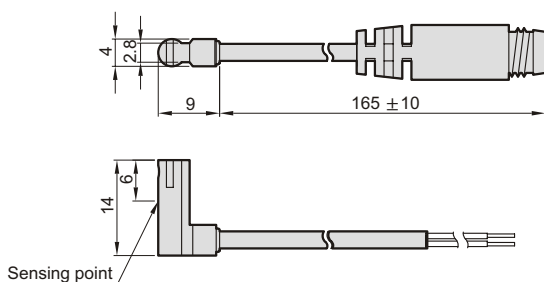
Model	RDF / RDFV	RNF / RNFV	RPF / RPFV
Wiring method	2 wire	3 wire	
Switch Type	—	NPN current sinking	PNP current sourcing
Switching logic	Solid state output, Normally open		
Operating voltage	10~28V DC	4.5~28V DC	
Switching current	4~20mA max.	50mA max.	
Contact rating	0.6W max.	1.5W max.	
Current consumption	—	10mA @24V max. (Switch active)	
Voltage drop	3.5V max.	0.5V @ 50mA max.	
Leakage current	0.8mA max.	0.01mA max.	
Shock	50G		
Vibration	9G		
Temperature range	-10°C~+70°C (No freezing)		
Cable	2.6 φ ,2C, PVC	2.6 φ ,3C, PVC	
Lead wire length	1m, 2 m, 3m		
Indicator lamp	LED lights up when ON		
Enclosure classification	IEC 529 IP67		
Indicator	Red LED		
Connect diagram			

### Dimension

#### RDF / RNF / RPF RDF-QD / RNF-QD / RPF-QD



#### RDFV / RNFV / RPFV RDFV-QD / RNFV-QD / RPFV-QD



※ Caution for safety please refer to the 2-03~04 page.

### Assembling style

Cylinder type	MCFB, MCMJP, MCGS
Pictures	

### Wiring of the QD:

