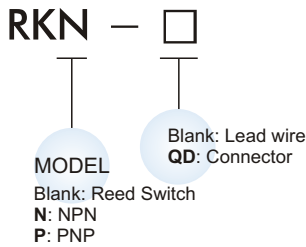
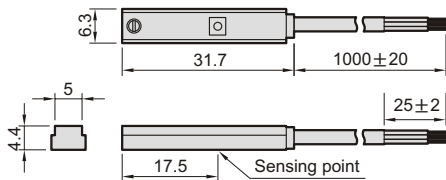


### Order example

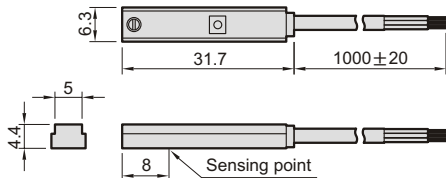


### Dimension

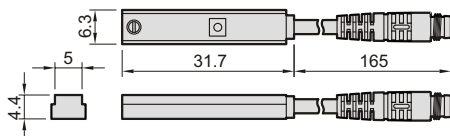
#### RK



#### RKN, RKP



#### RK-QD

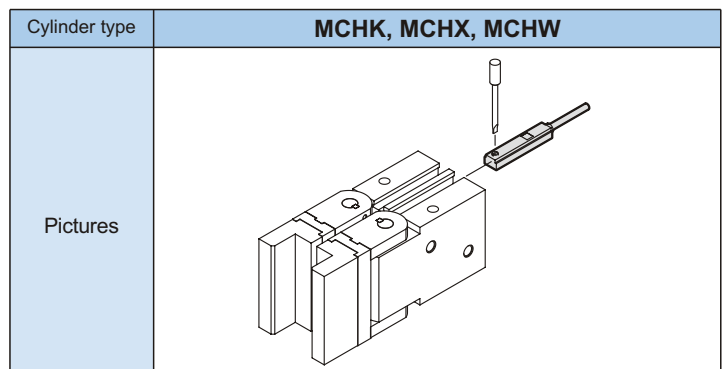


### Specification

Model	RK	RKN	RKP
Switching logic	SPST normally open	Solid state output, normally open	
Switch Type	Reed switch	NPN current sinking	PNP current sourcing
Operating voltage	5~220V DC/AC	5~30V DC	
Switching current	100mA max.	150mA max.	
Switching rating	10W max.	4.5W max.	
Current consumption	—	10 mA@24V max.	
Voltage drop	2.5V max.	2.0V max.	
Leakage current	—	0.01mA max.	
Indicator	Red LED	Red LED	Green LED
Cable	2.8 φ, 2C, PVC	3.3 φ, 3C, PVC	
Sensitivity (※ 1)	40 Gauss		
Temperature range	- 10~70°C (No freezing)		
Shock (※ 2)	30G	50G	
Vibration (※ 3)	9G		
Enclosure classification	IP67 (Nema 6)		
Protection circuit	None	Power source reverse polarity; Surge suppression	
Connect diagram			

- ※ 1. Measuring standard target : φ 14.5× φ 8.5(Anisotropy rubber magnet).
- ※ 2. Sin wave / X.Y.Z. 3 Directions / 3 Times each direction / 11ms each time.
- ※ 3. Double amplitude 1.5mm / 10Hz~55Hz~10Hz(Sweep 1min) / X.Y.Z. 3 Directions / 1 Hour each time.
- ※ 4. Caution for safety please refer to the 2-03~04 page.

### Assembling style



### Wiring of the QD

- 2 wire QD wiring
- 2 wire EQD wiring
- 3 wire QD wiring

